

# Wiring Diagram Type 968 Model 95

	Coordinates	
<b>Sheet 1</b>	1 - 10	Lights
<b>Sheet 2</b>	11 - 20	Instrument Cluster and Sensor
<b>Sheet 3</b>	21 - 30	Heating, Airconditioning, Ventilating, Power Seats, Wipe- and Wash Cleaners
<b>Sheet 4</b>	31 - 40	Two-Tone Horns, Mirrors, Lifting Roof, Power Window Regulator, Tailgate Unlocking
<b>Sheet 5</b>	41 - 50	Engine Compartment, Cruise Control
<b>Sheet 6</b>	51 - 60	Central Electric
<b>Sheet 7</b>	61 - 70	Central Locks, Alarm System
<b>Sheet 8</b>	71 - 80	Fog Light, Rear Fog Light
<b>Sheet 9</b>	81 - 90	Radio
<b>Sheet 9 a</b>	81 - 90	Radio CS, Sound Package Cabriolet
<b>Sheet 10</b>	91 - 100	ABS, Airbag
<b>Sheet 11</b>	101 - 110	Wiring 968 Cabriolet
<b>Sheet 12</b>	111 - 120	Tiptronic
<b>Sheet 13</b>		Construction Components
<b>Sheet 14</b>		Plug Connections, Ground Points, M-Numbers, Abbreviations

# **Wiring Diagram Type 968 Model 95**

The wiring diagram consists of 13 individual wiring diagrams, 1 sheet construction components and 1 sheet plug connections and ground points. These are divided into coordinate fields.

Each individual wiring diagram contains a part of the central-electrics box in a dashdotted frame.

This part of the central-electrics box shows all the lines and relays necessary for the individual wiring diagram.

The earth/ground points are identified by "GP" and their location is shown in a vehicle diagram.

The 20-pin connectors on the central-electrics box are clipped together out of 5 parts.

Part 1, with the moduled-on fastening lug, is the "starting element".

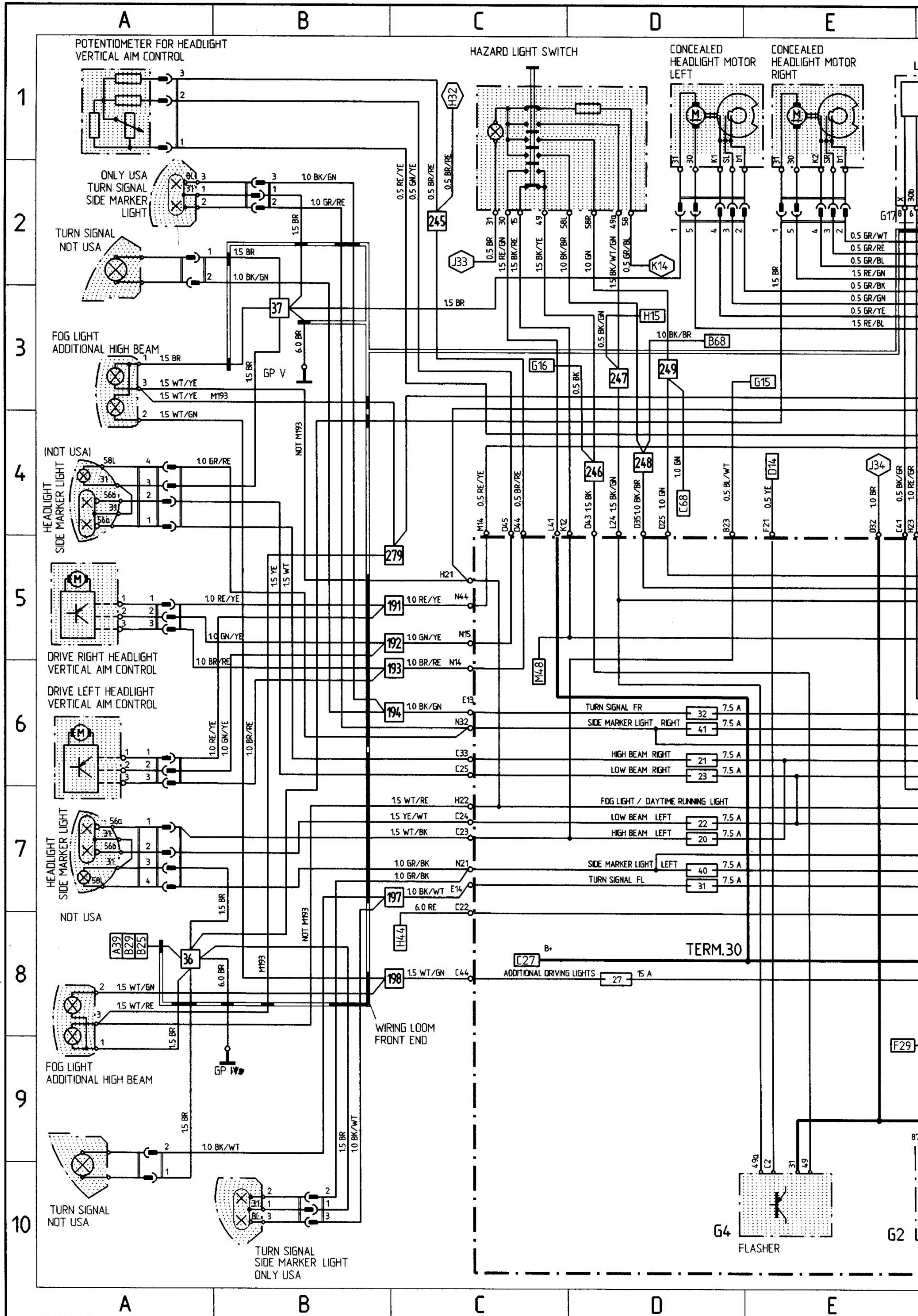
Parts 2, 3 and 4 are "module elements".

Parts 1 to 4 are identified by the numbers 1.....5.

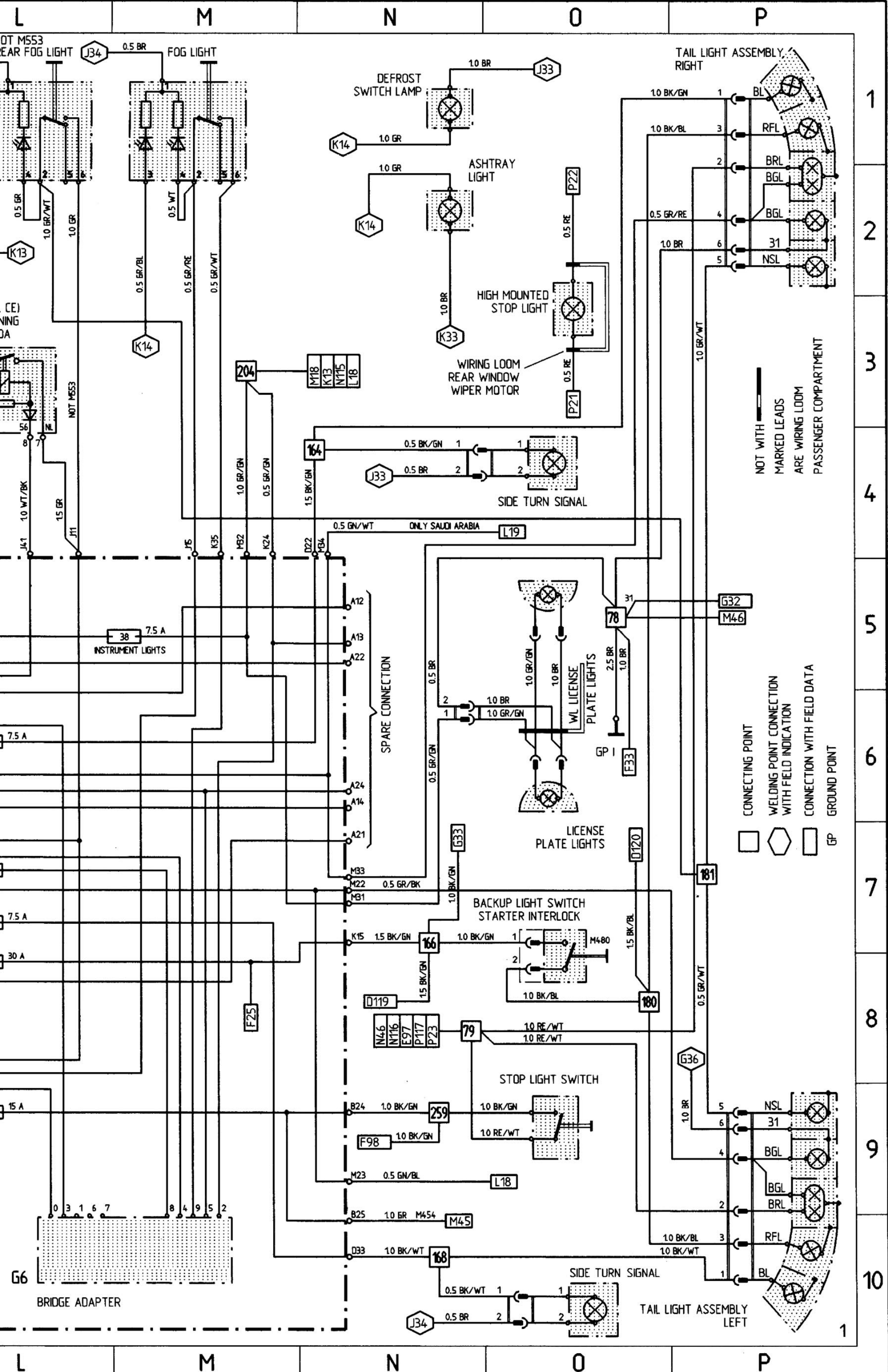
Part 5 is a "coding element".

The designations of the plug connections in the wiring diagram of the central-electrics box refer to the "starting element" from, for example, B 11.....15, and to the first module element from B 21.....25.

## LIGHTS

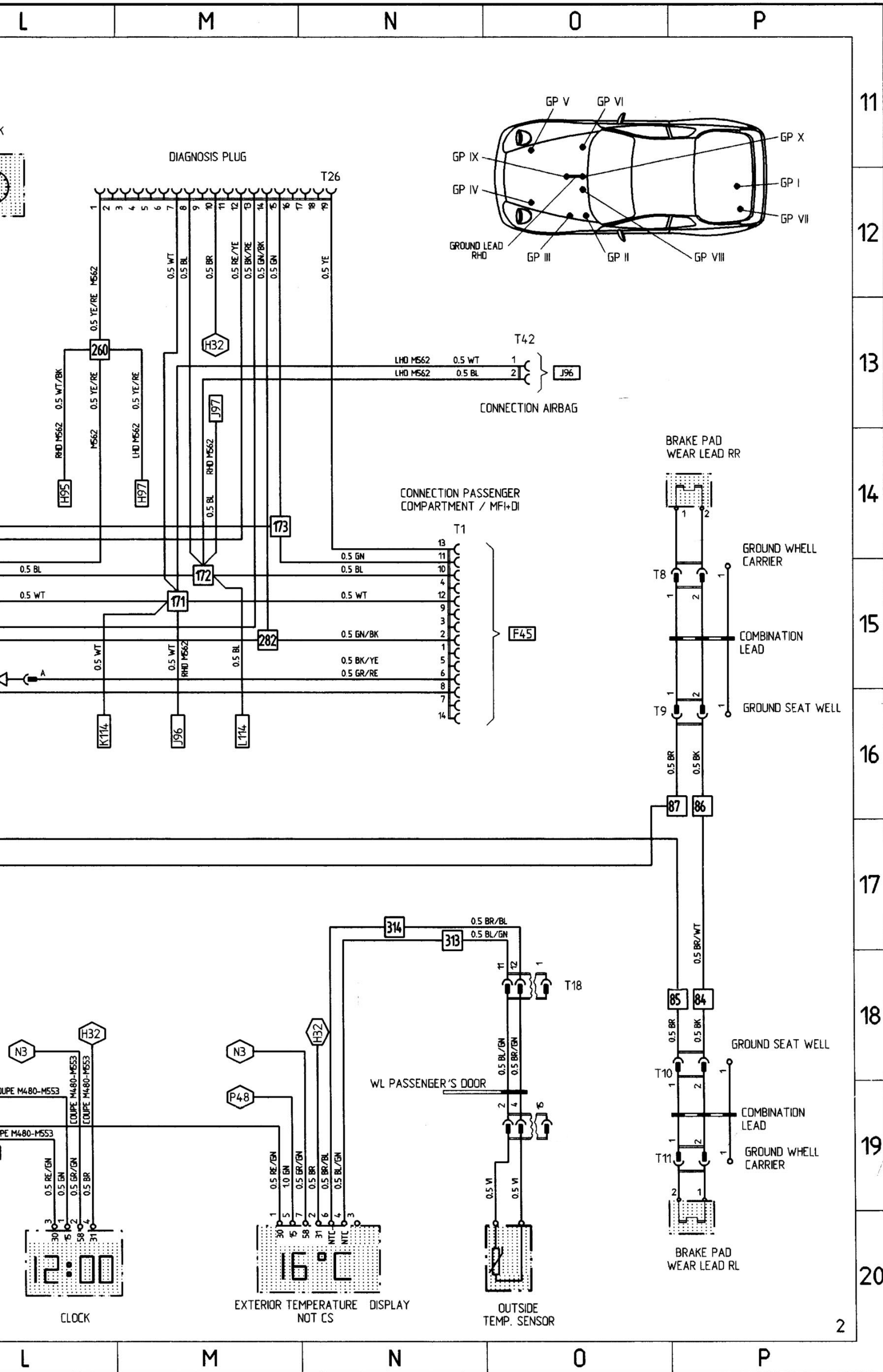












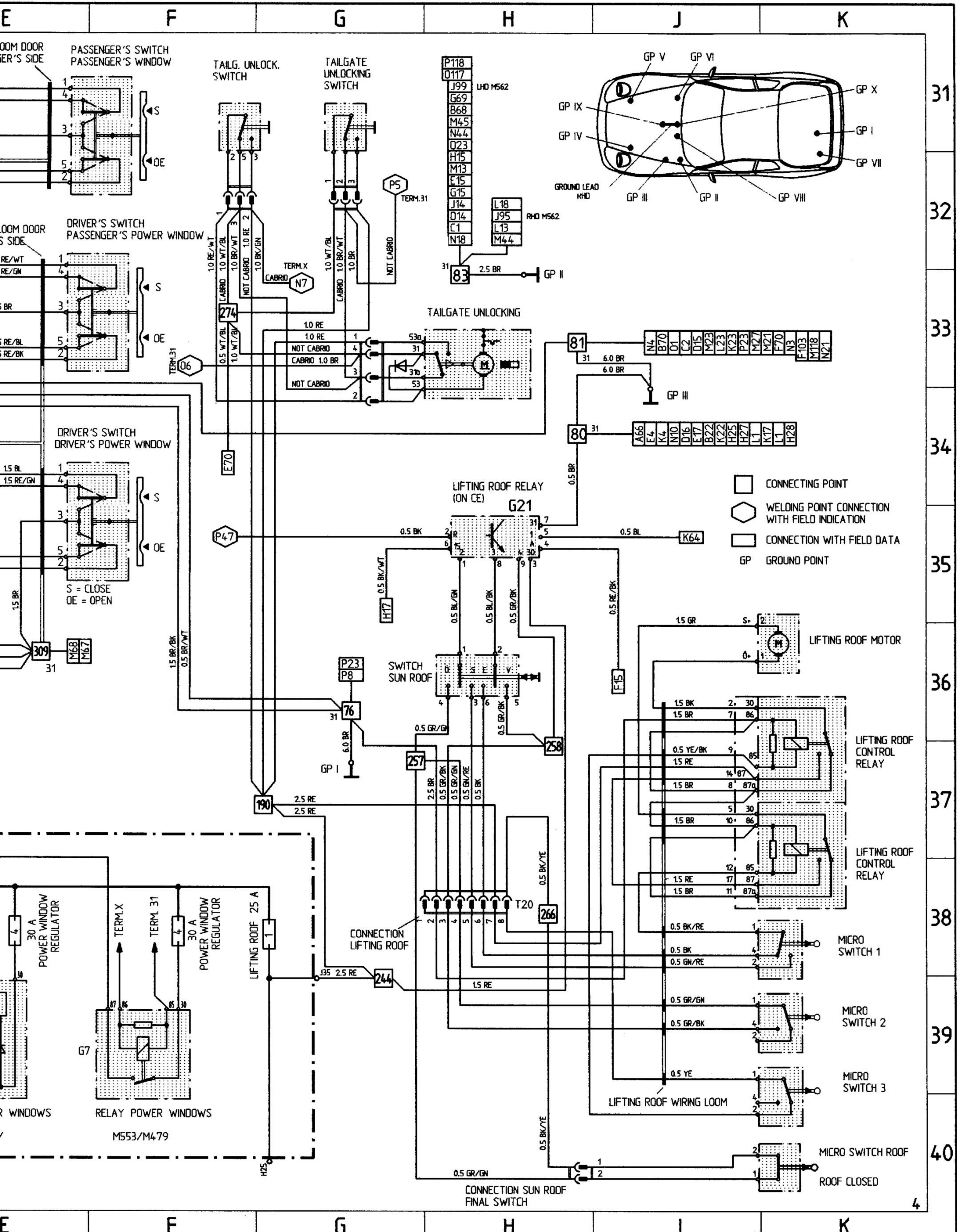








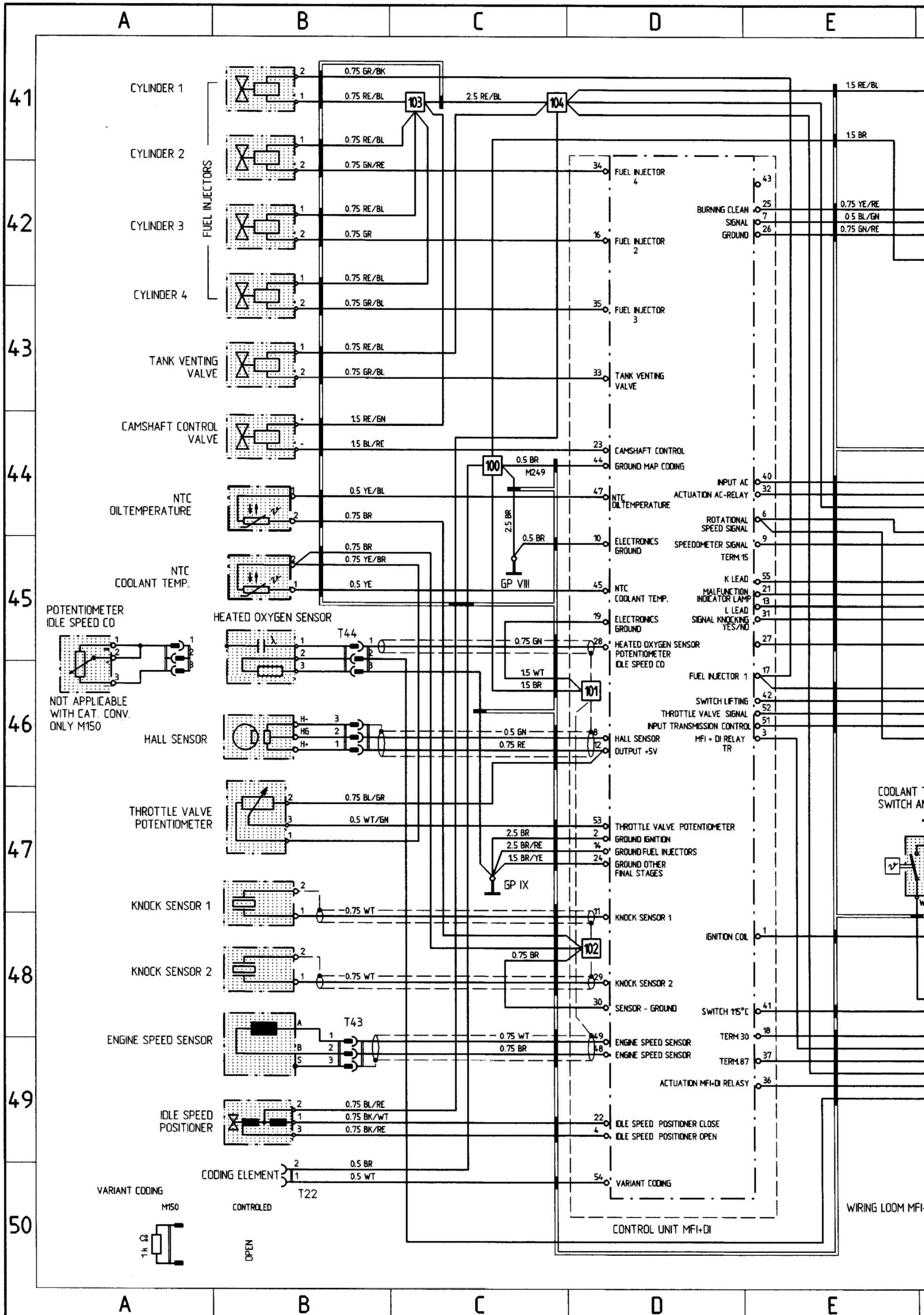
LOCKING

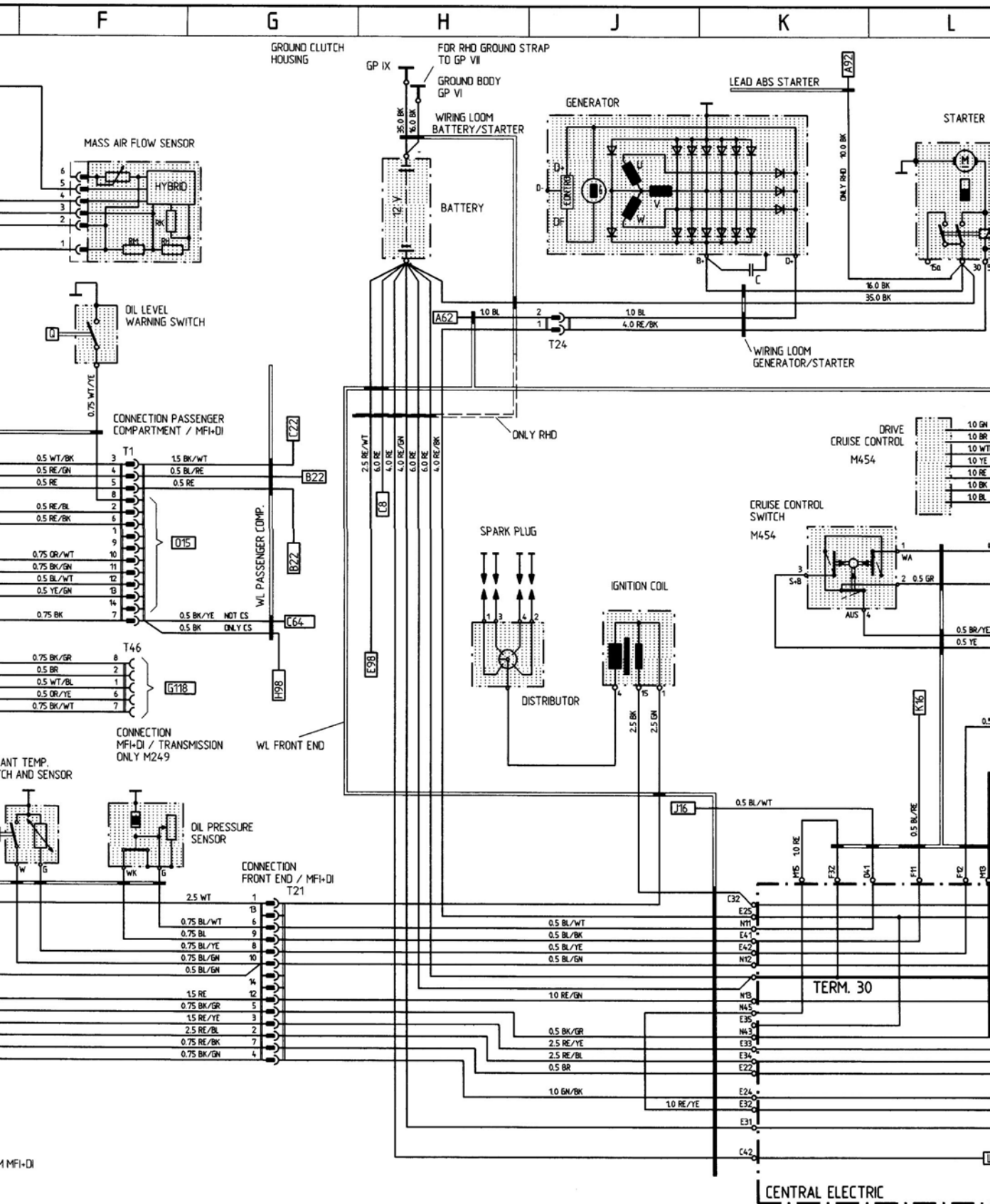


WT = WHITE YE = YELLOW RE = RED VI = VIOLET BL = BLUE  
 GN = GREEN GR = GREY BR = BROWN BK = BLACK

# 968 MODEL 95 SHEET 5

## ENGINE COMPARTMENT, CRUISE CONTROL

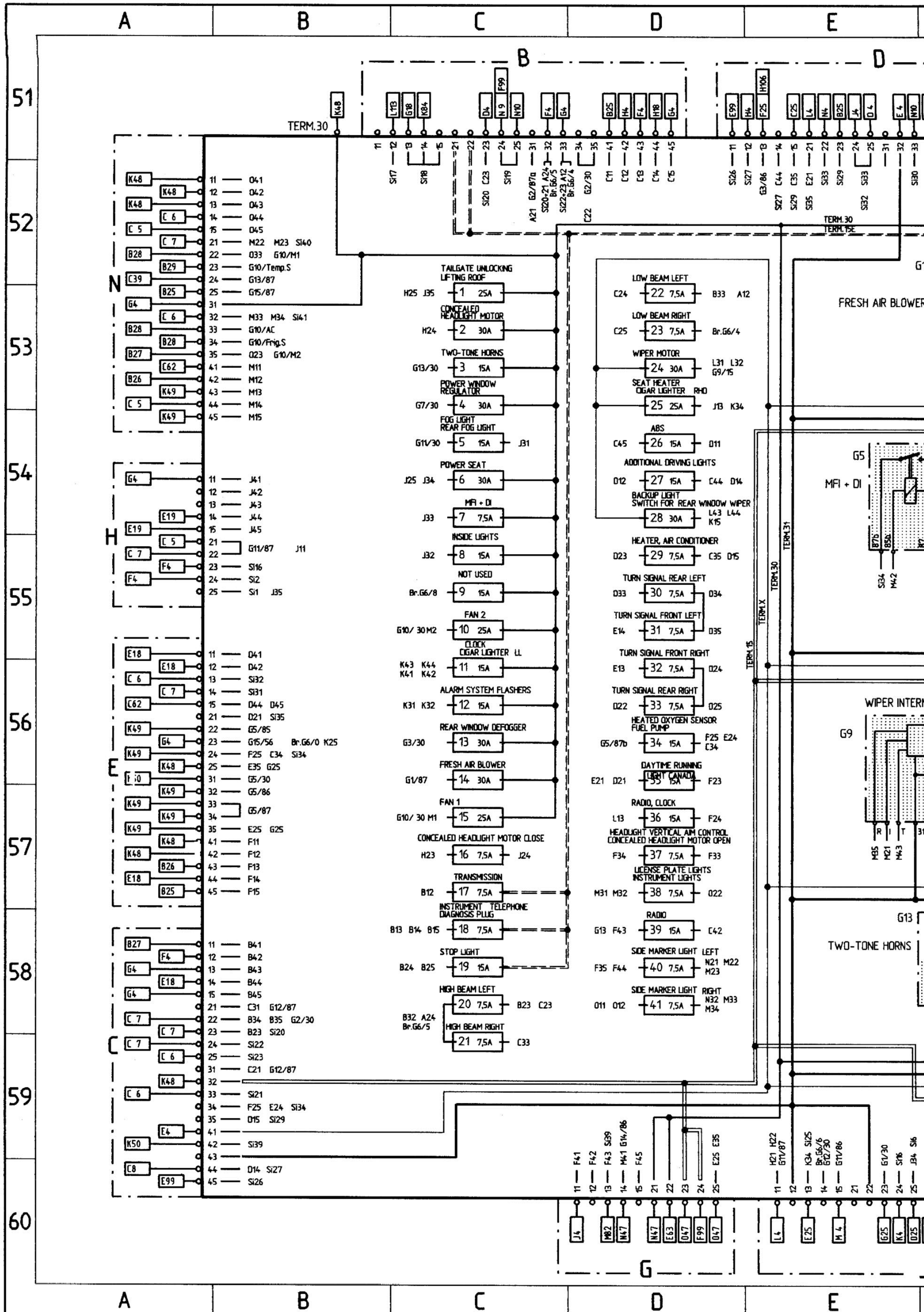


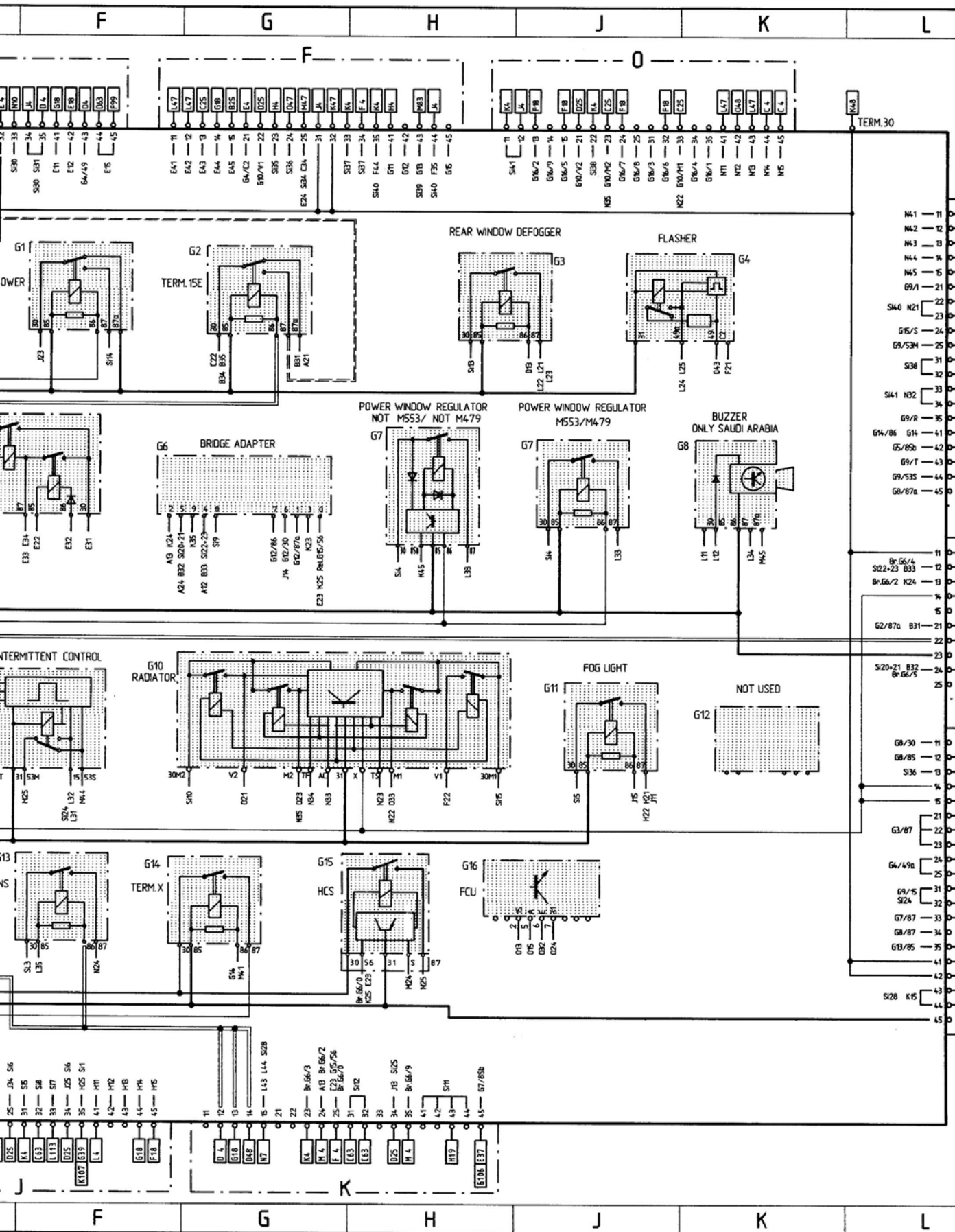


F G H J K L

WT = WHITE YE = YELLOW RE = RED VI = VIOLET BL = BLUE GN = GREEN GR = GREY BR = BROWN BK = BLACK







F

G

H

J

K

L

F

O

TERM.30

POWER

TERM.15E

REAR WINDOW DEFOGGER

FLASHER

POWER WINDOW REGULATOR  
NOT M553/ NOT M479

POWER WINDOW REGULATOR  
M553/M479

BUZZER  
ONLY SAUDI ARABIA

G6 BRIDGE ADAPTER

G7

G7

G8

INTERMITTENT CONTROL

G10 RADIATOR

G11 FOG LIGHT

NOT USED

G12

G13

G14 TERM.X

G15 HCS

G16 FCU

S6

S28

S2

S12

S19

S17

S18

S19

S20

S21

S22

S23

S24

S25

S26

S27

S28

S29

S30

S31

S32

S33

S34

S35

S36

S37

S38

S39

S40

S41

S42

S43

S44

S45

S46

S47

S48

S49

S50

S51

S52

S53

S54

S55

S56

S57

S58

S59

S60

S61

S62

S63

S64

S65

S66

S67

S68

S69

S70

S71

S72

S73

S74

S75

S76

S77

S78

S79

S80

S81

S82

S83

S84

S85

S86

S87

S88

S89

S90

S91

S92

S93

S94

S95

S96

S97

S98

S99

S100

N41 11  
N42 12  
N43 13  
N44 14  
N45 15  
G9/1 21  
S40 N21 22  
G15/S 23  
G9/S34 25  
S38 31  
S41 N32 33  
G9/R 35  
G14/86 G14 41  
G5/85b 42  
G9/T 43  
G9/S35 44  
G8/87a 45

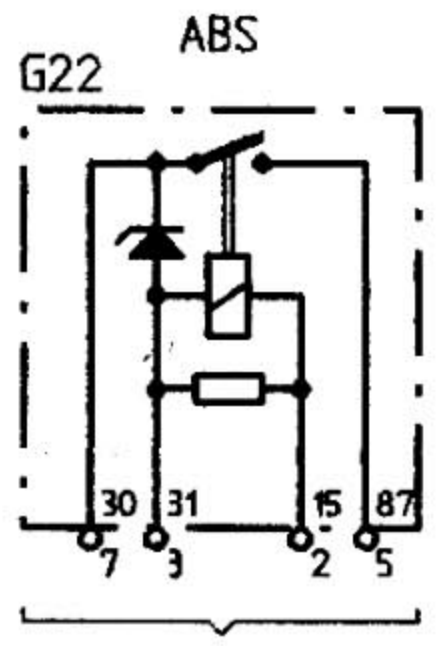
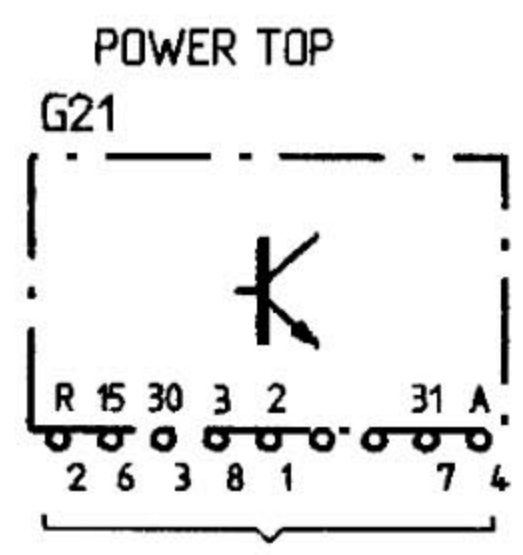
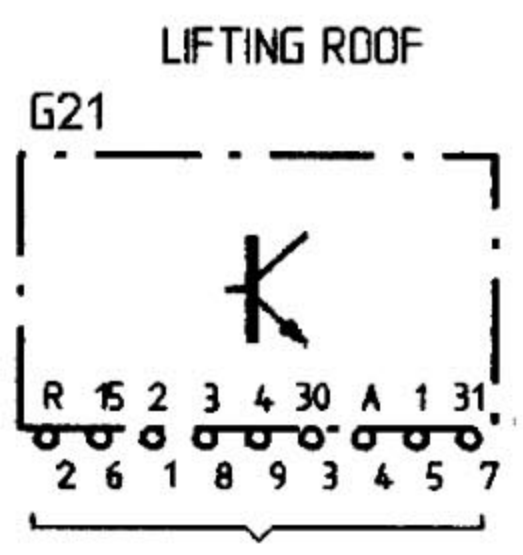
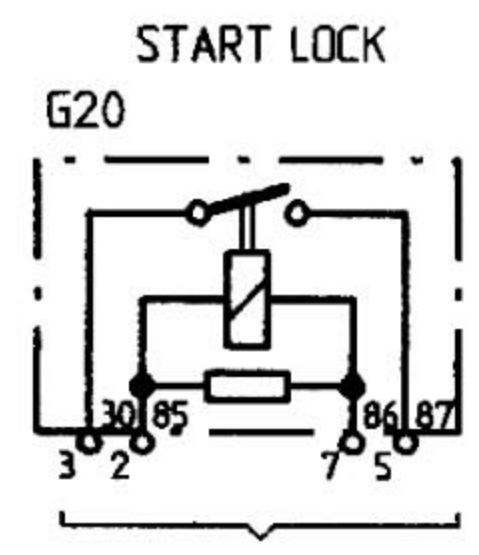
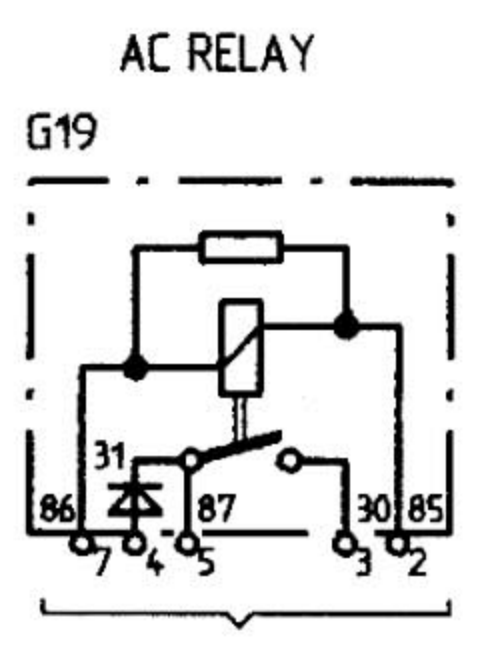
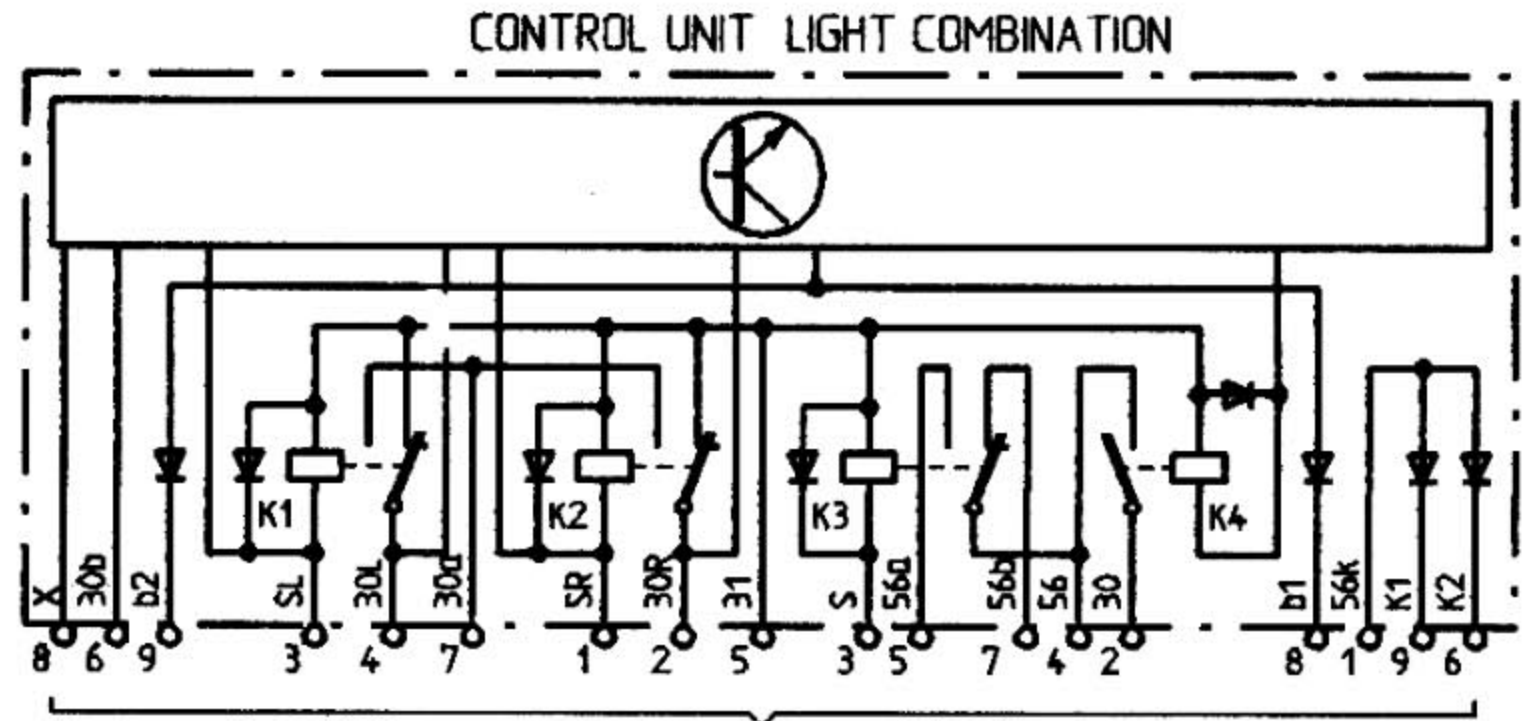
Br.66/4 11  
S22-23 B33 12  
Br.66/2 K24 13  
G2/87a B31-21 21  
S20-21 B32 Br.66/5 24

G8/30 11  
G8/85 12  
S36 13  
G3/87 21  
G4/49a 24  
G9/5 31  
S24 32  
G7/87 33  
G8/87 34  
G13/85 35

G13 21  
G14 22  
G15 23  
G16 24  
G17 25  
G18 26  
G19 27  
G20 28  
G21 29  
G22 30  
G23 31  
G24 32  
G25 33  
G26 34  
G27 35

S28 K15 44  
K16 45

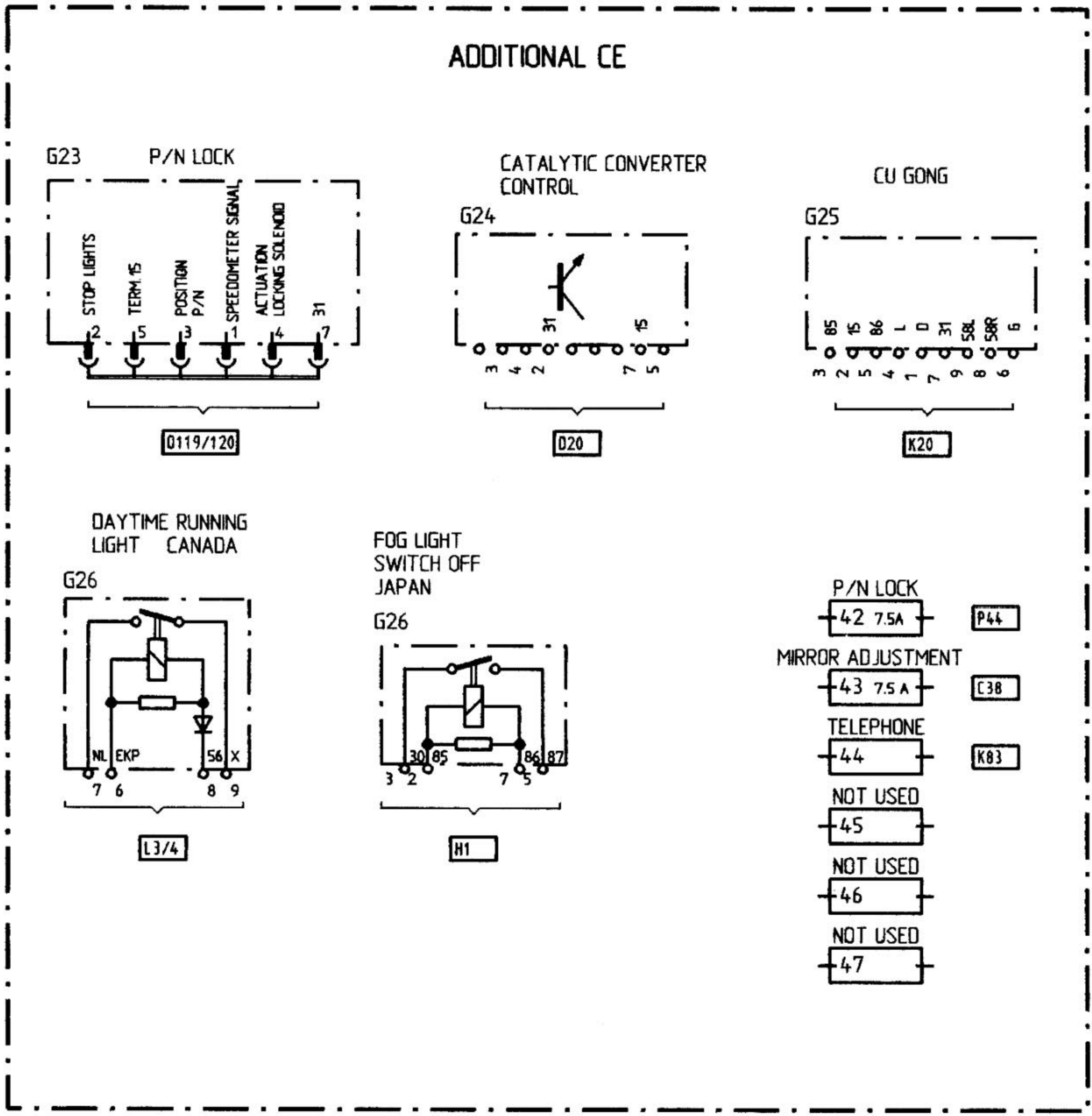
L M N O P



- NK1 11 D63
- NK2 12 G26
- NK3 13 L47
- NK4 14 C 4
- NK5 15 K47
- G9/1 21 G29
- N21 22 N 7
- N21 23 N 9
- S/S 24 G28
- S3M 25 G30
- S38 31 N 7
- S38 32 M 4
- N32 33 N 7
- N32 34 N 4
- 9/R 35 G30
- G14 41 K4
- B5b 42 M47
- 9/T 43 G29
- S3S 44 G25
- B7a 45

- 11 L82
- 12 N 5
- 13 N 5
- 14 N 6
- 15
- 21 N 7
- 22 N 5
- 23
- 24 N 6
- 25

- 11 F18
- 12 O4-8
- 13 K4
- 14 H4
- 21 C37 H106
- 22 O37 J106
- 23 F25 H106
- 24 D4
- 25 J4
- 31 G29
- 32 G25
- 33 E37 F106
- 34
- 35 O37
- 41 C4
- 42 K4
- 43 F25 H106
- 44
- 45



- P/N LOCK -42 7.5A P44
- MIRROR ADJUSTMENT -43 7.5A C38
- TELEPHONE -44 K83
- NOT USED -45
- NOT USED -46
- NOT USED -47

ABBREVIATIONS OUTSIDE

FOR INST.: E 2 CONNECTION WITH FIELD DATA

E 8 DRAWING LEADS TO EX. E 8

ABBREVIATIONS INSIDE

FOR INST.: C3 = PLUG CONNECTION

G1 - G22 = RELAY

SI = FUSE

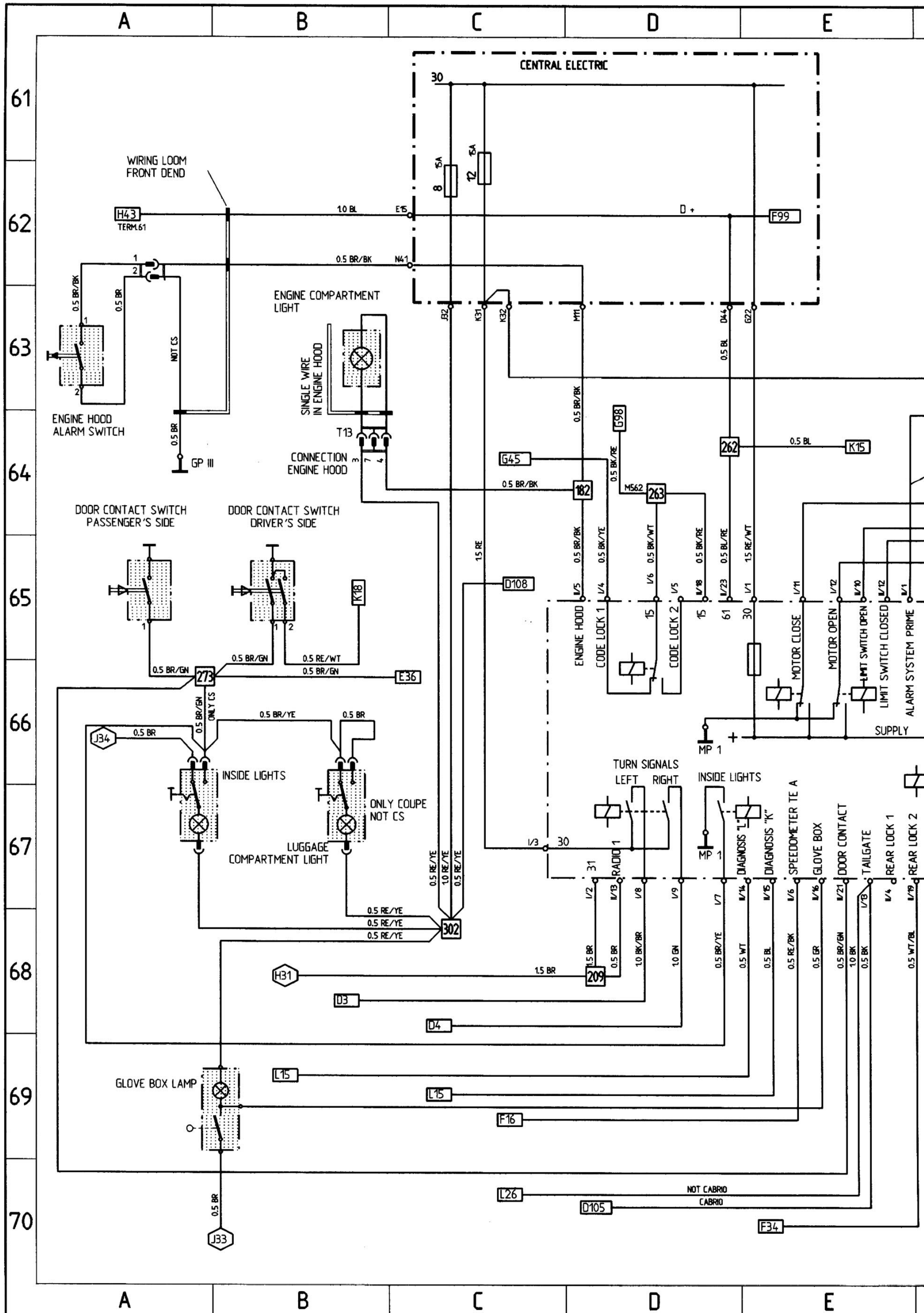
Br = BRIDGE ADAPTER

- TERM. 31
- TERM. 15
- TERM. 15E
- TERM. X
- TERM. 30

L M N O P

# 968 MODEL 95 SHEET 7

## CENTRAL LOCKS, ALARM SYSTEM



F

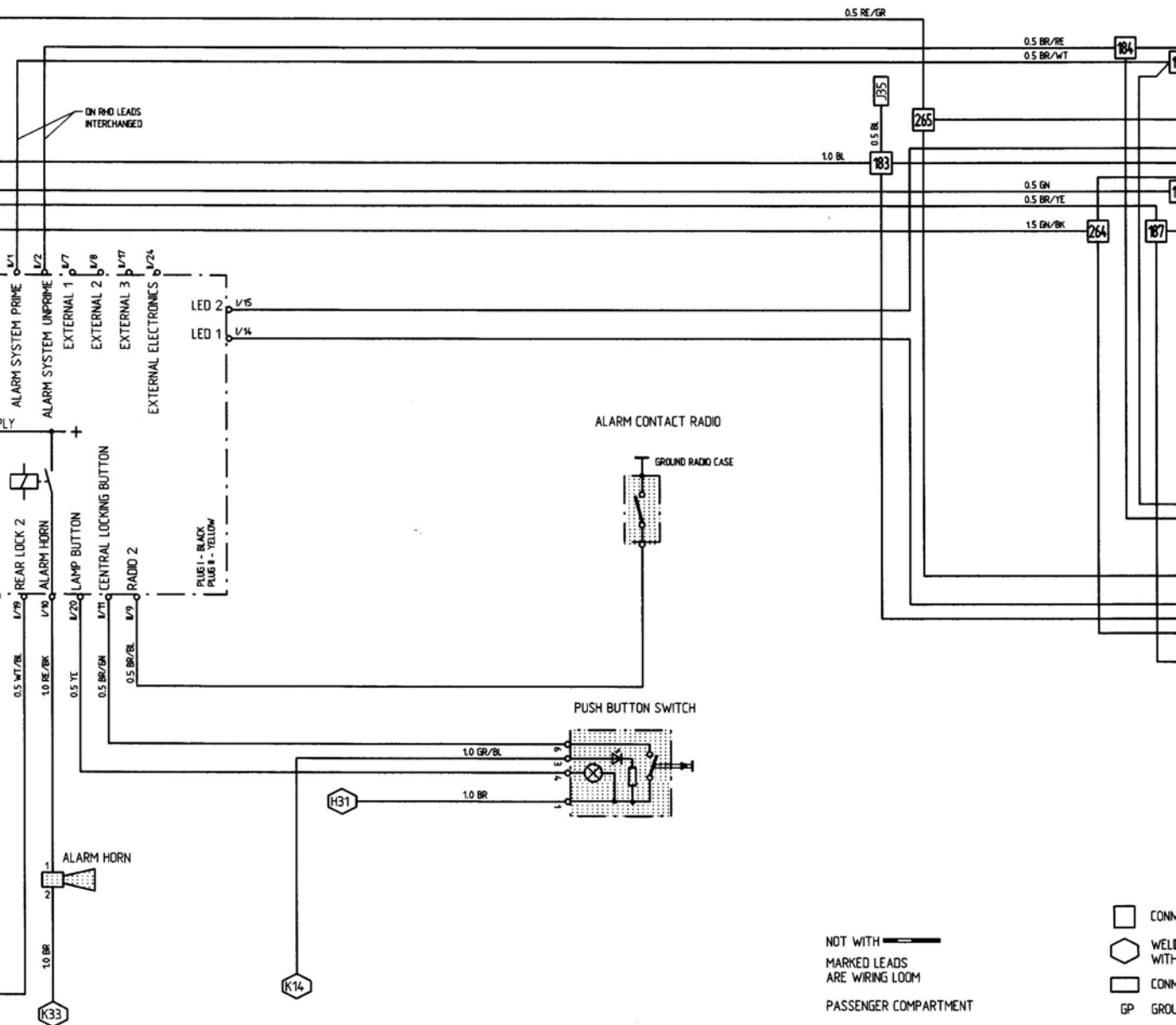
G

H

J

K

L



F

G

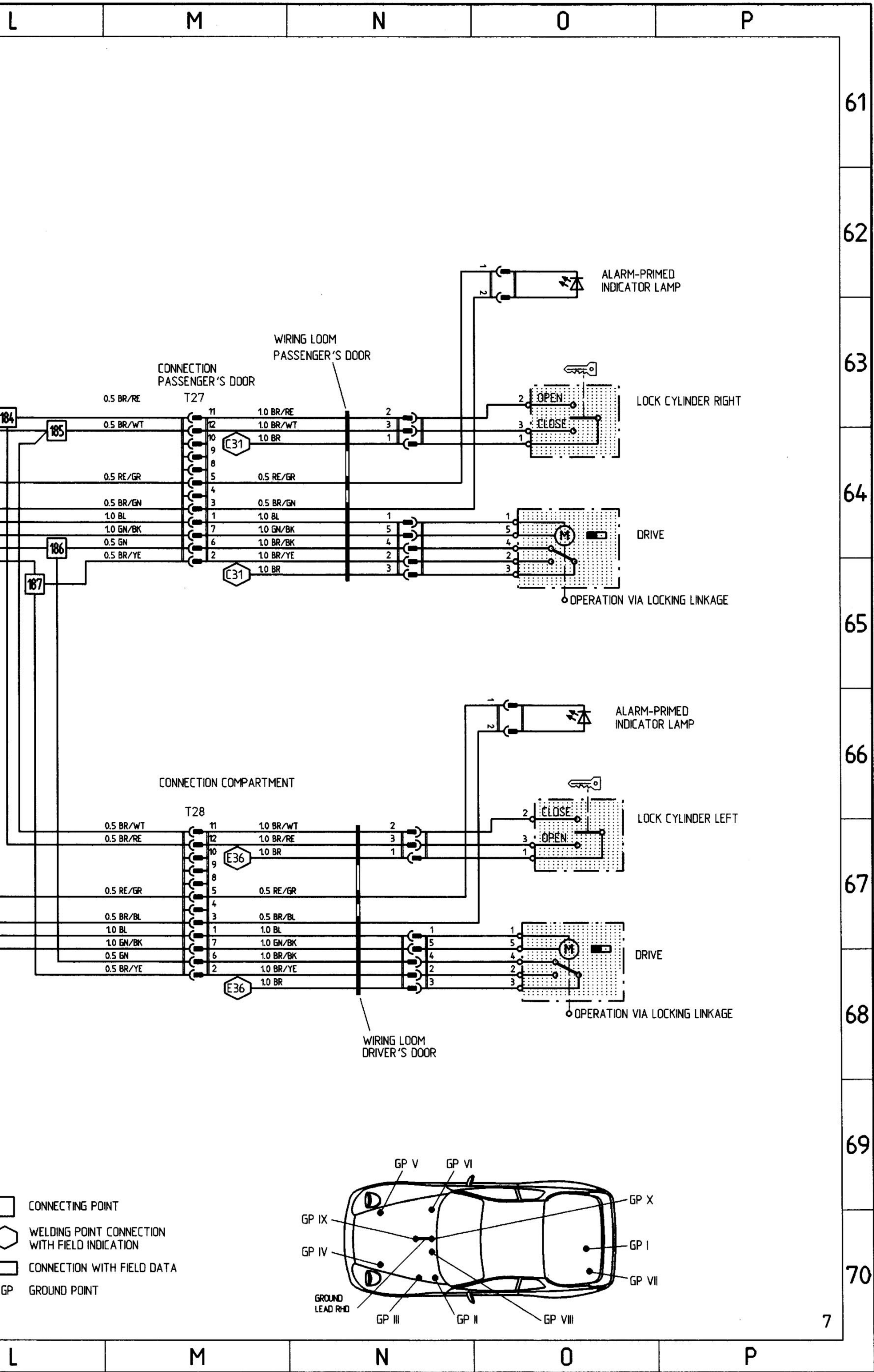
H

J

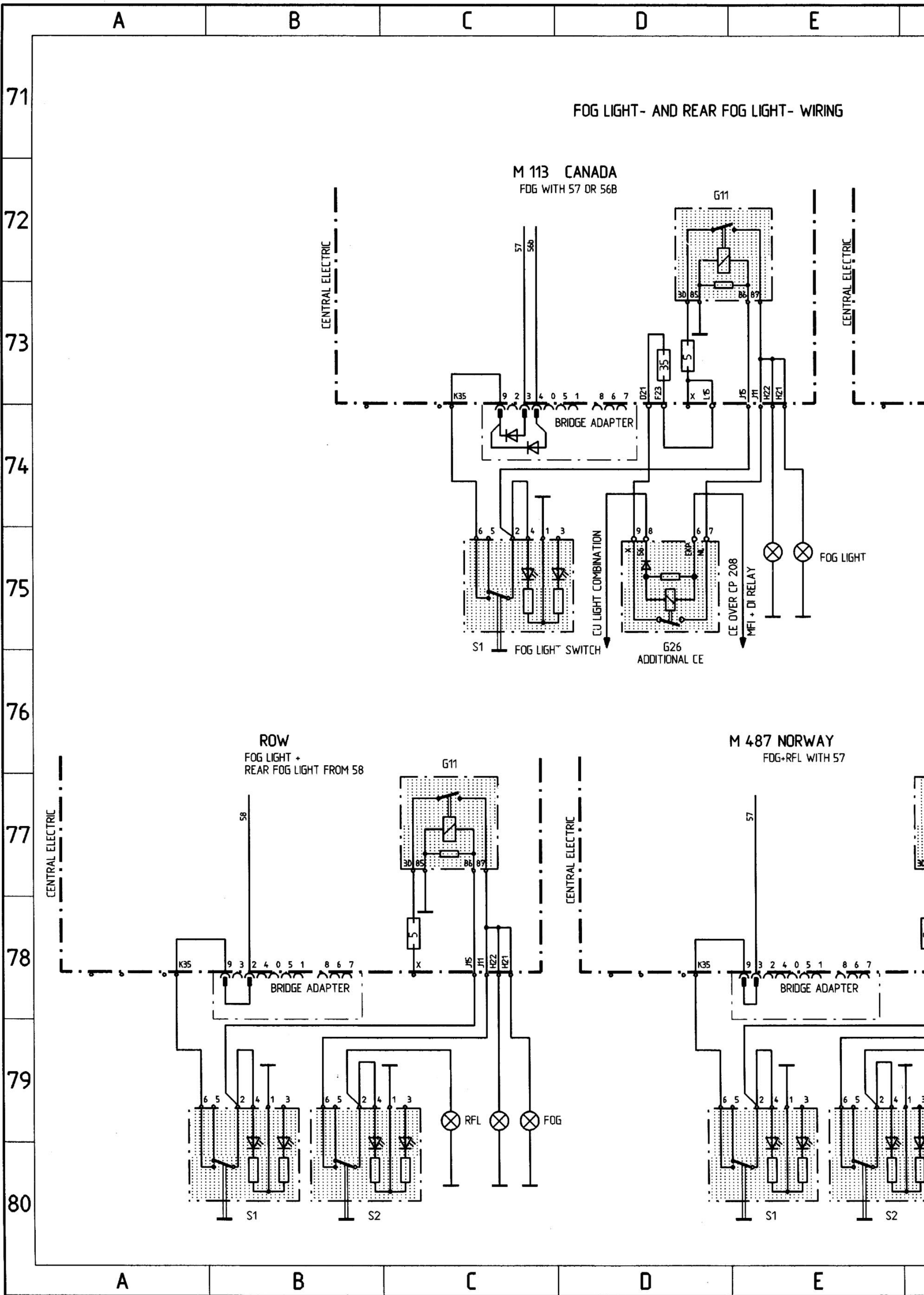
K

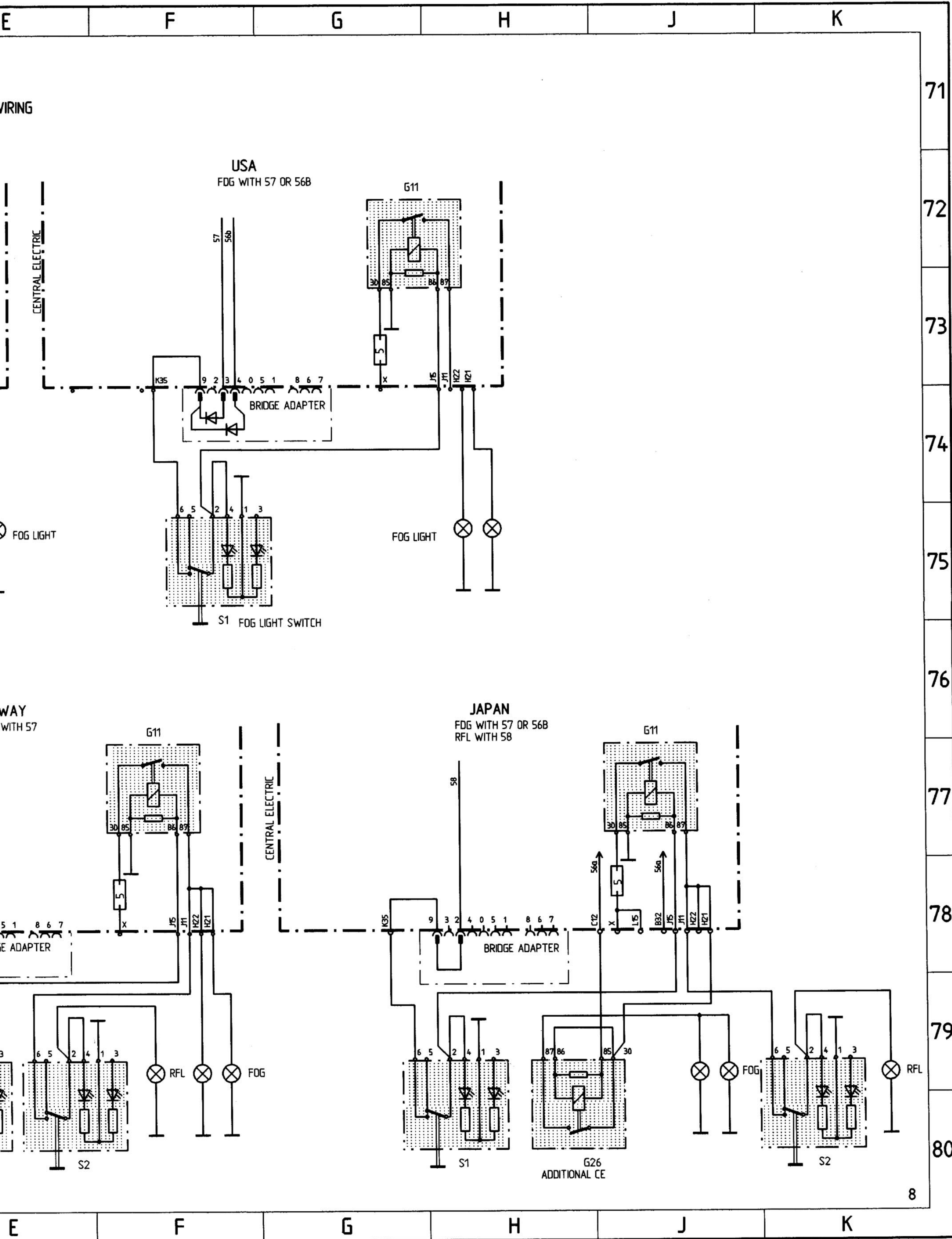
L

WT = WHITE    YE = YELLOW    RE = RED    VI = VIOLET    BL = BLUE    GN = GREEN    GR = GREY    BR = BROWN    BK = BLACK

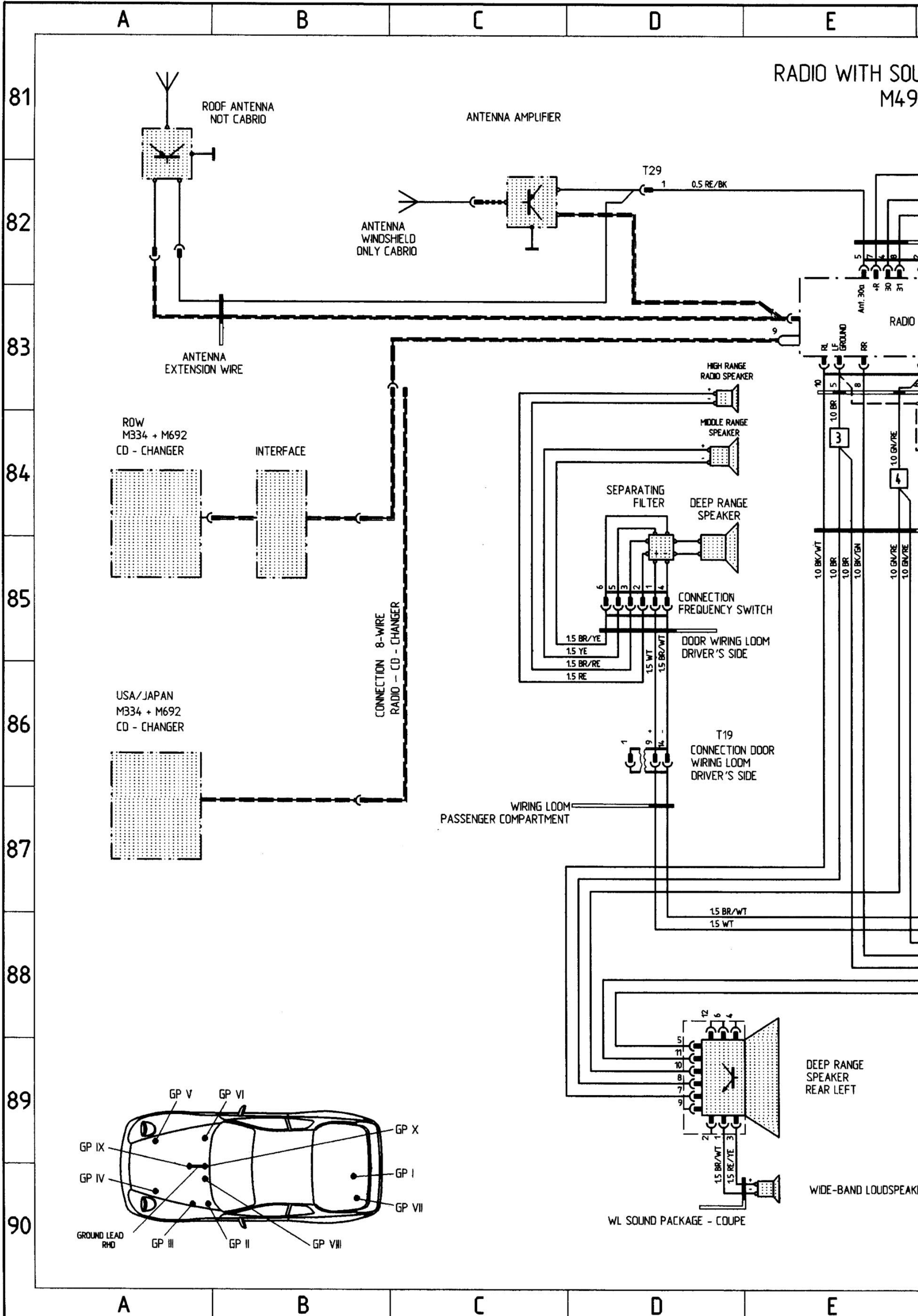


## FOG LIGHT, REAR FOG LIGHT



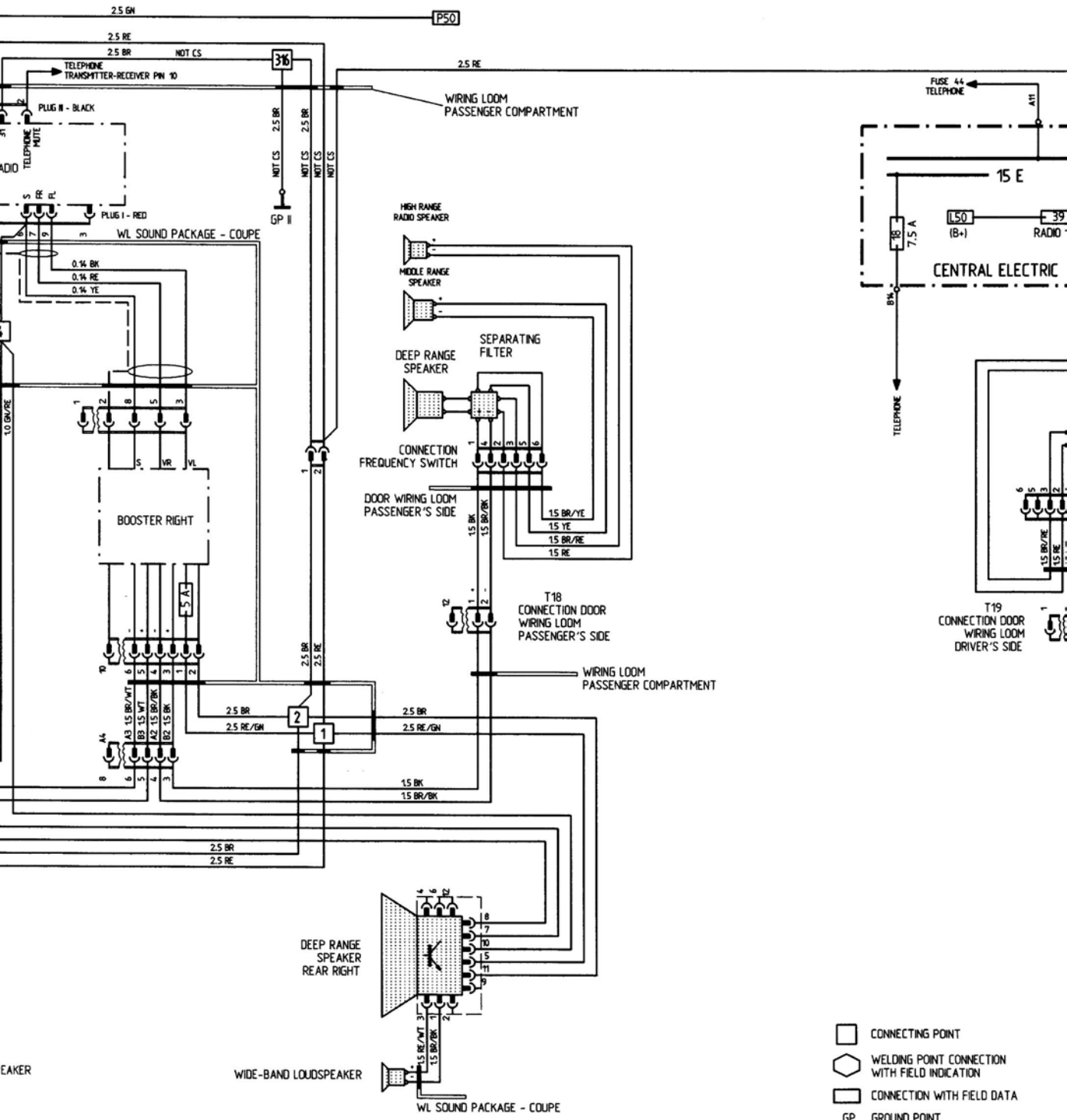


71  
72  
73  
74  
75  
76  
77  
78  
79  
80  
8



SOUND PACKAGE COUPE  
490

BOOSTER C  
NOT USED



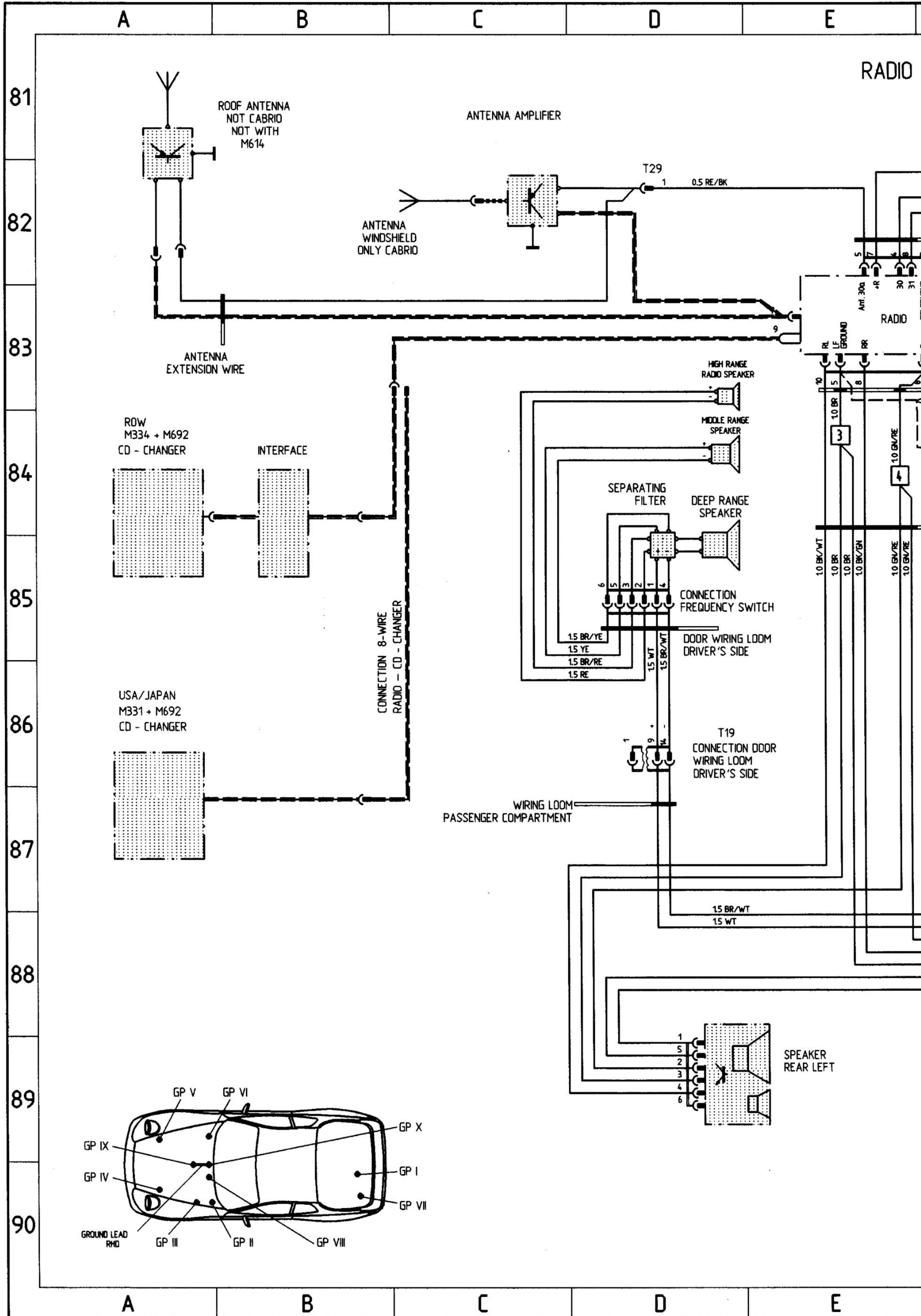
CENTRAL ELECTRIC

T19  
CONNECTION DOOR  
WIRING LOOM  
DRIVER'S SIDE

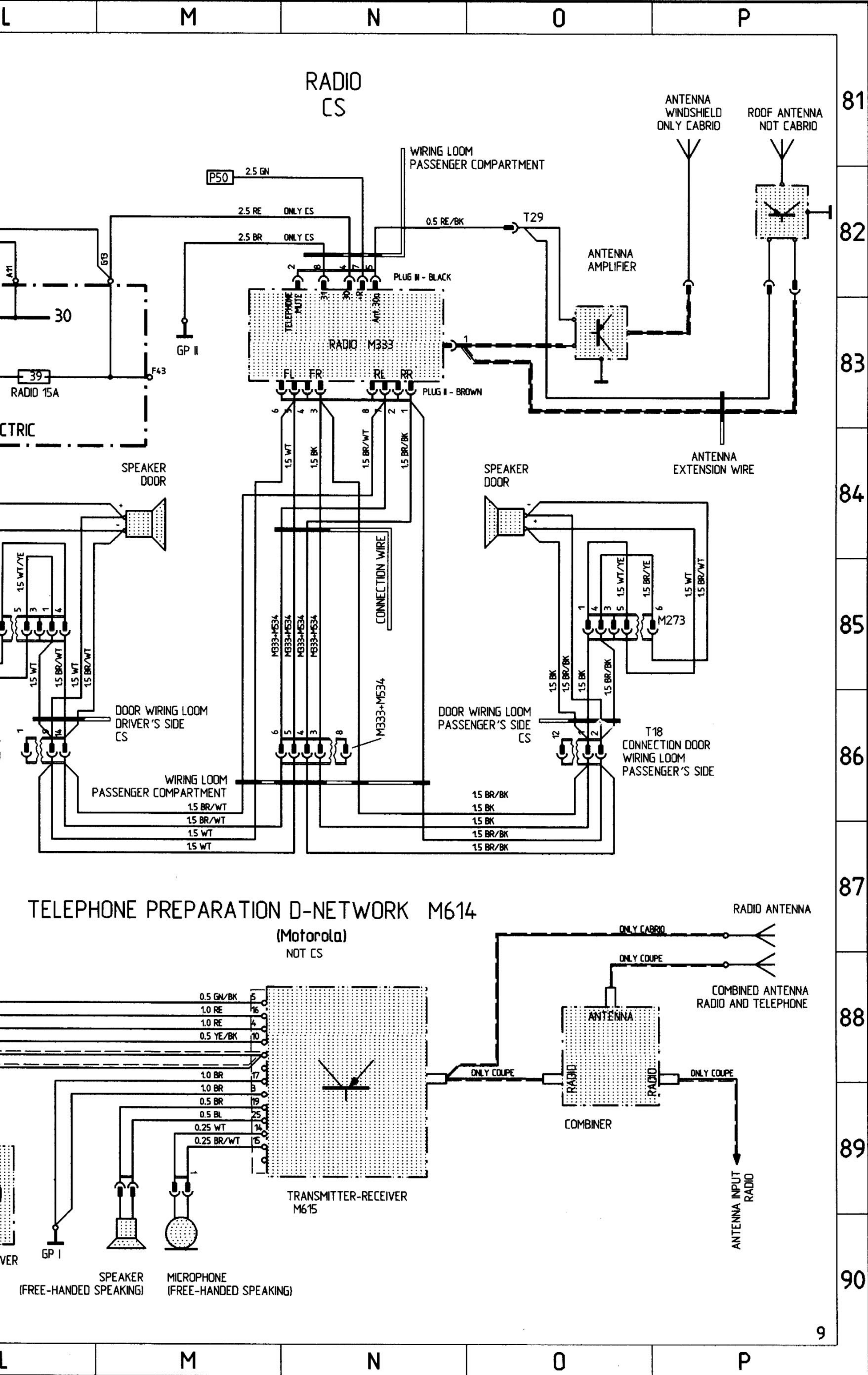
- CONNECTING POINT
- WELDING POINT CONNECTION WITH FIELD INDICATION
- ▭ CONNECTION WITH FIELD DATA
- GP GROUND POINT

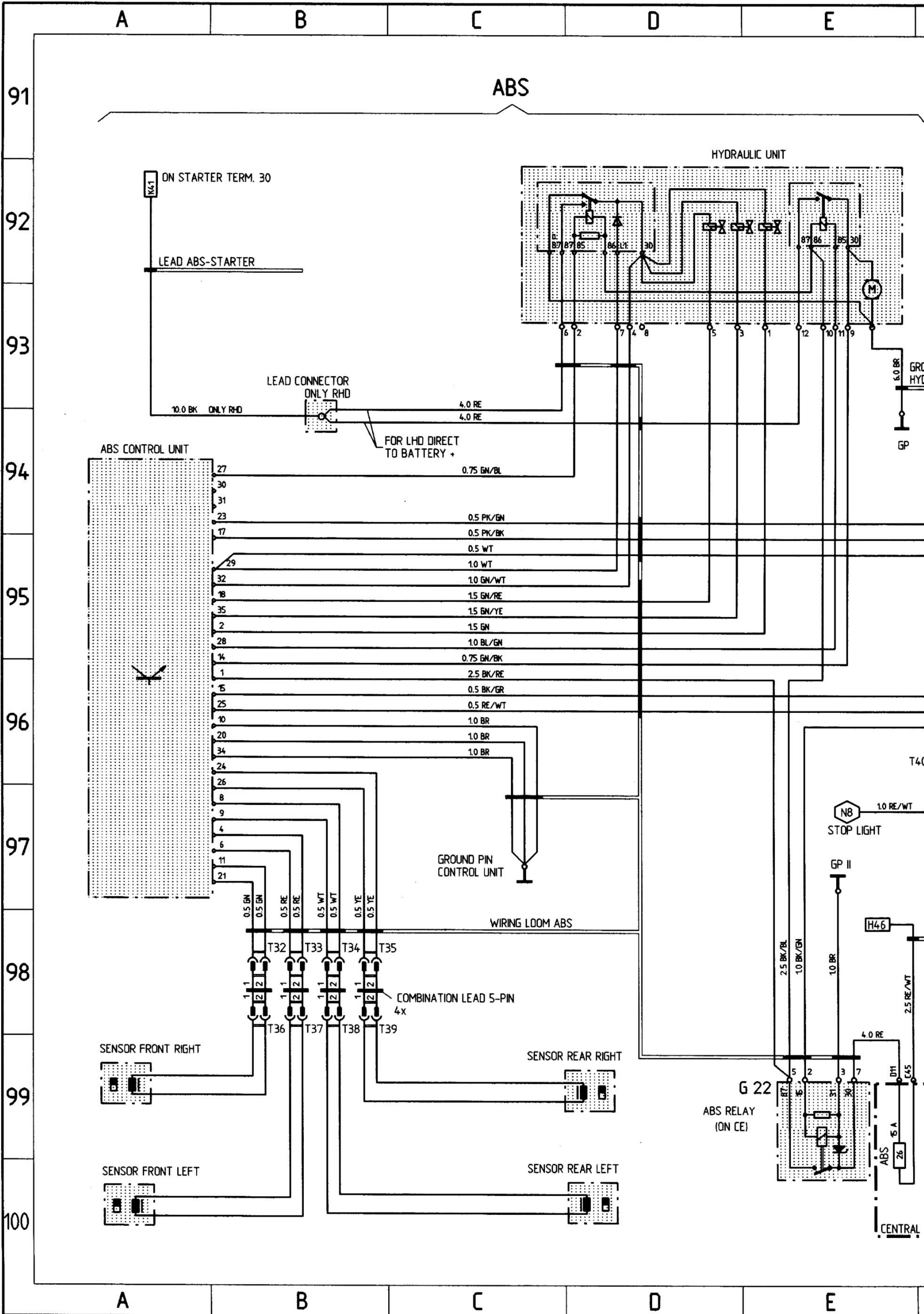


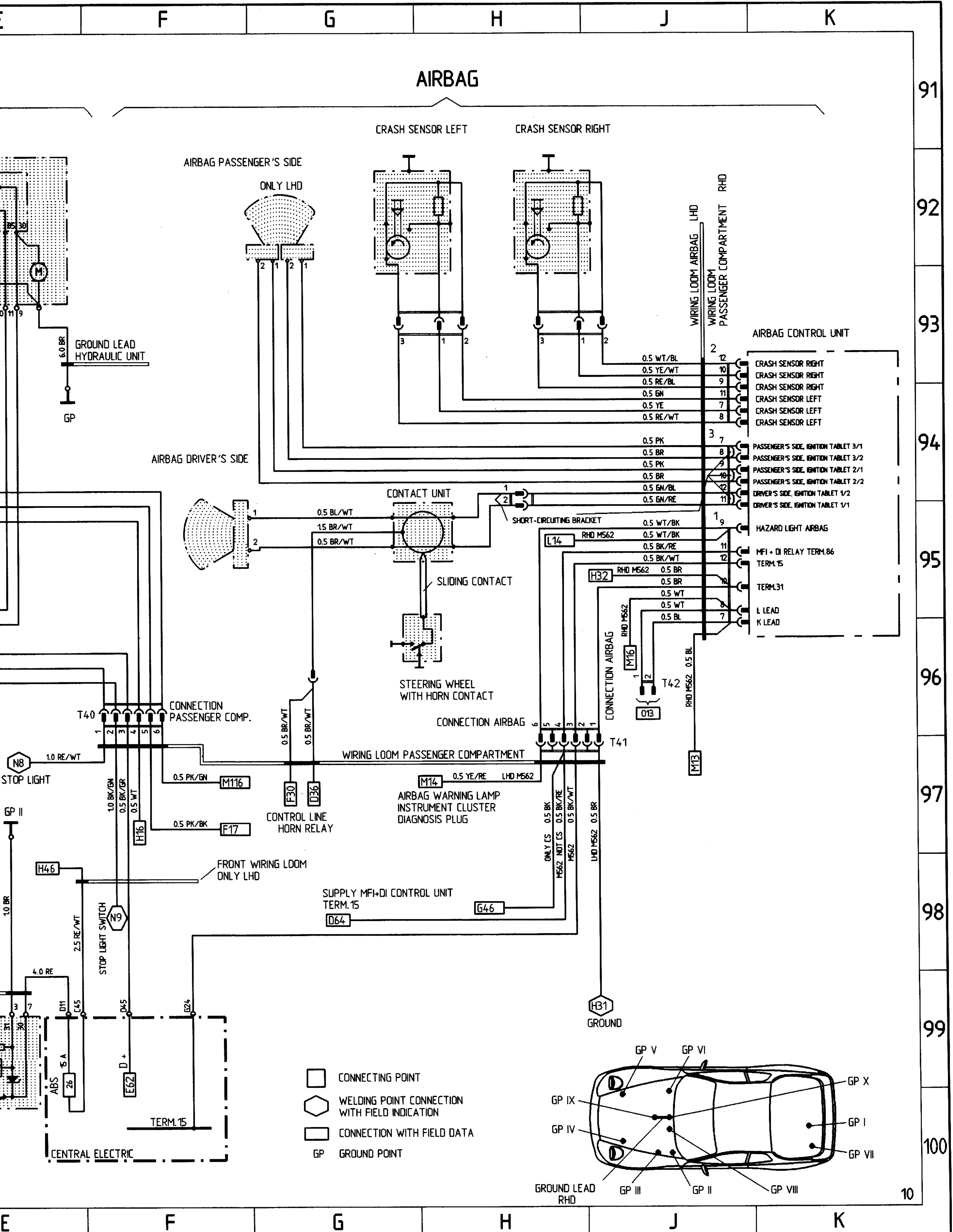
## RADIO CS, SOUND PACKAGE CABRIO







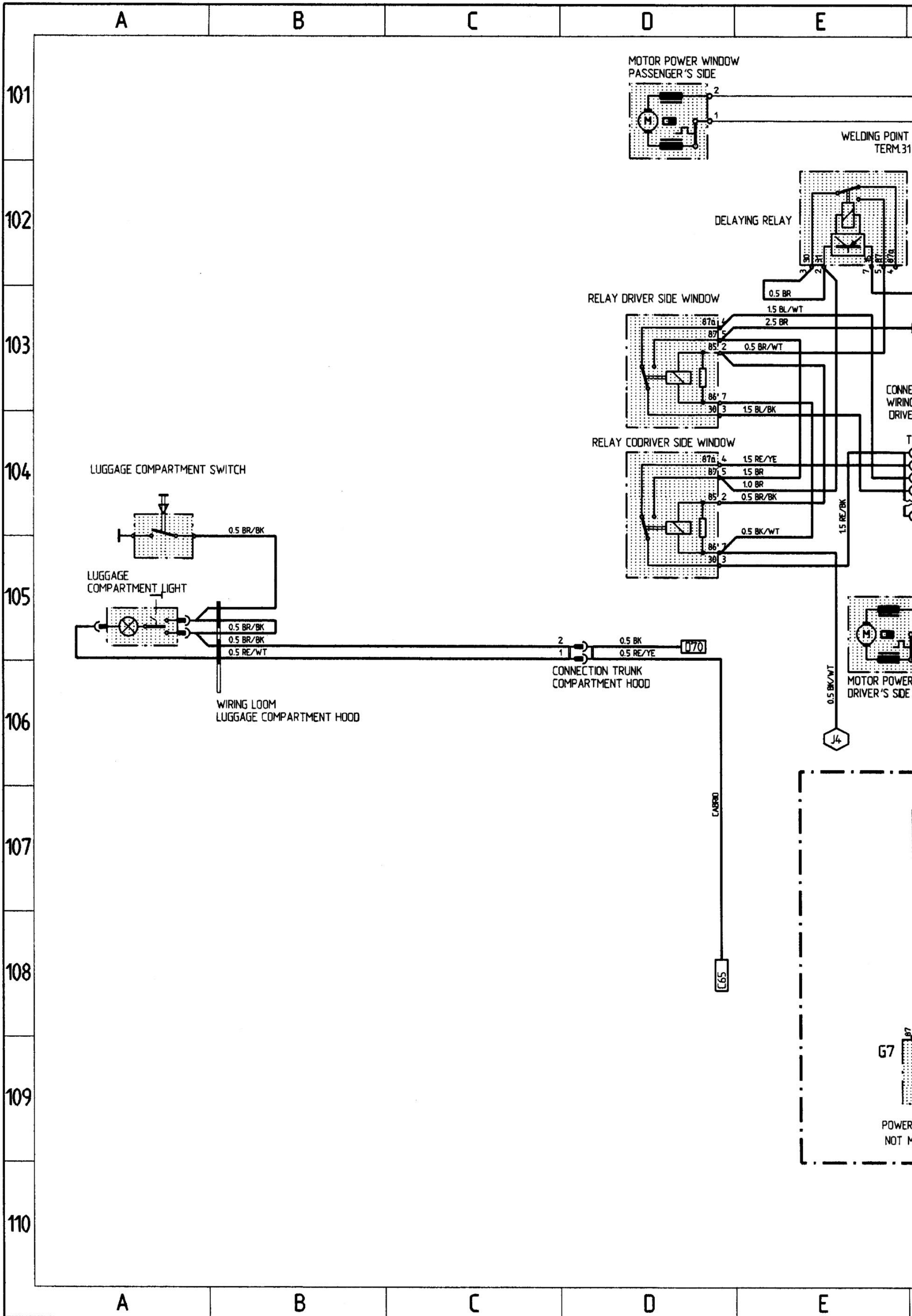




WT = WHITE      YE = YELLOW      RE = RED      VI = VIOLET      BL = BLUE  
 GN = GREEN      GR = GREY      BR = BROWN      BK = BLACK

# 968 Cabrio MODEL 95 SHEET 11

## WIRING 968 CABRIO

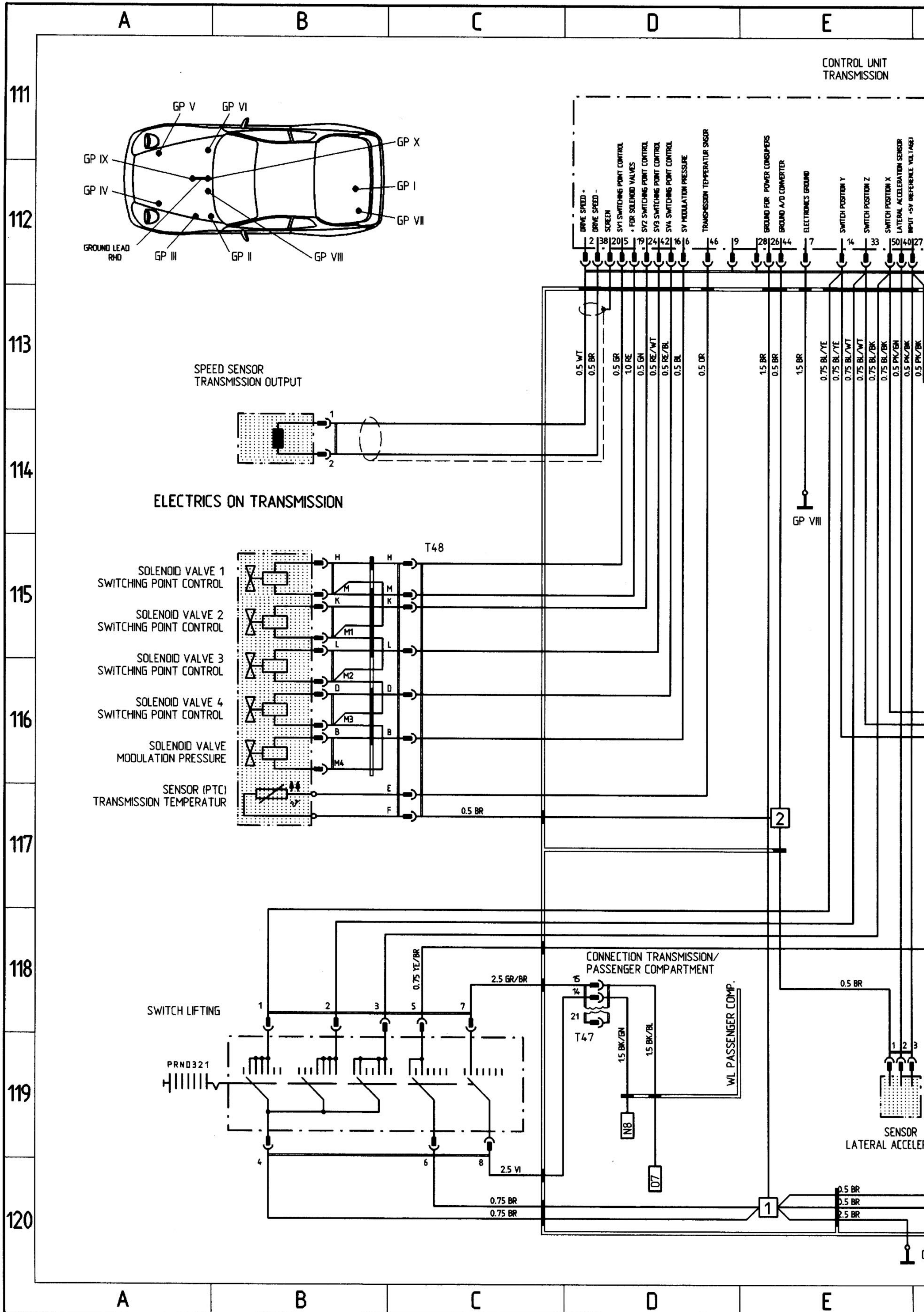




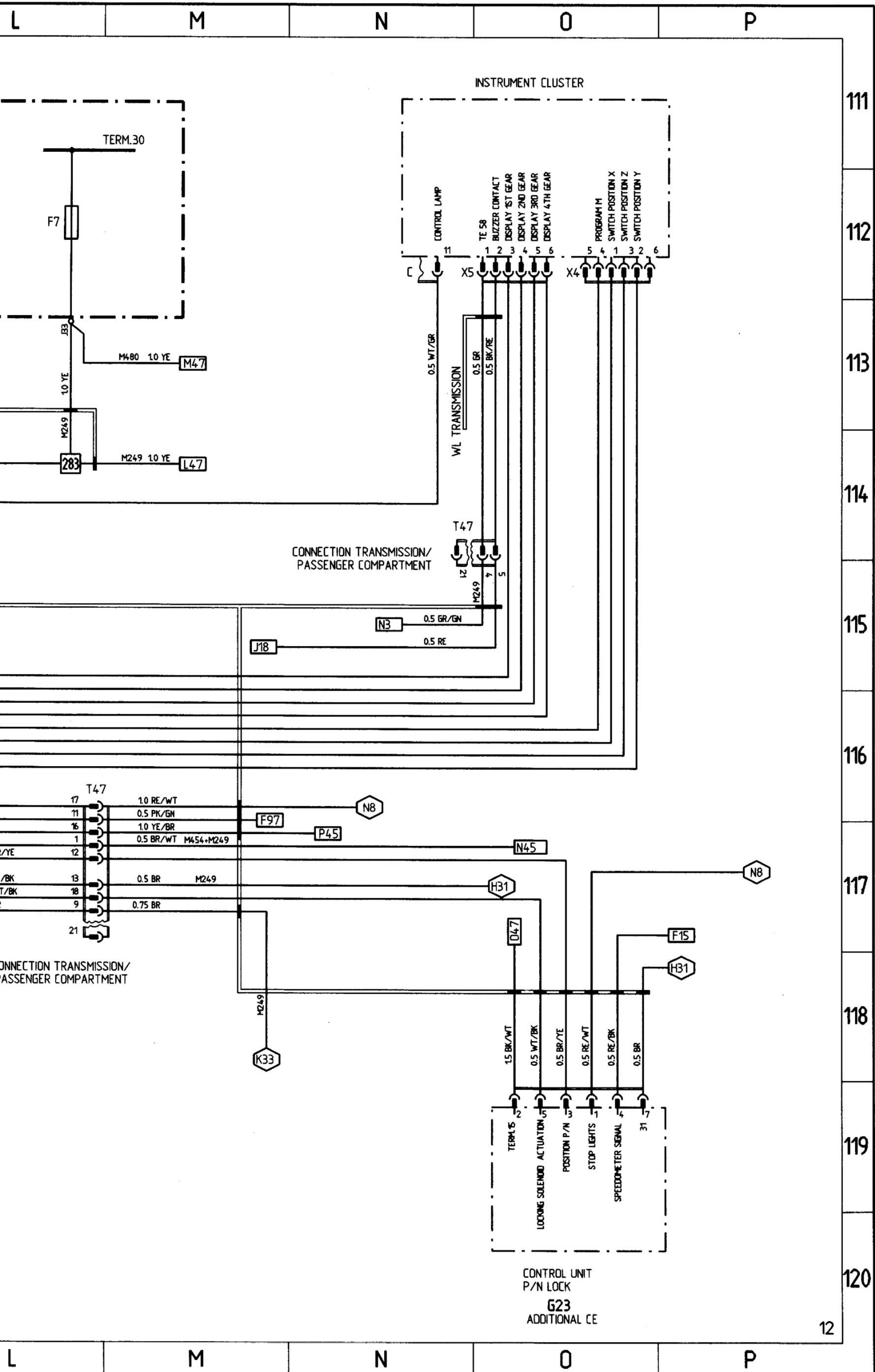


# 968 MODEL 95 SHEET 12

## CONTROL UNIT AUTOMATIC TRANSMISSION







# 968 MODEL 95 SHEET 13

## CONSTRUCTION COMPONENTS

CONSTRUCTION COMPONENTS					
DESIGNATION, FUNCTION	POSITION IN VEHICLE		NOTE	FIELD IN WIRING DIAGRAM	
	LHD	RHD			
ADDITIONAL CE	6cP	—	LEFT TO STEERING COLUMN	SHEET 6	
ADDITIONAL CE	—	6cQ	LEFT TO GLOVE BOX	SHEET 6	
AIR COMPRESSOR	3dD	3dD	ON ENGINE	A24	
ALARM-PRIMED INDICATOR LAMP LEFT	12bR	12bR	IN PUSH-BUTTON OF LEFT DOOR	O66	
ALARM-PRIMED INDICATOR LAMP RIGHT	12bK	12bK	IN PUSH-BUTTON OF RIGHT DOOR	O62	
ALARM HORN	7bL	7bL	IN WATER BOX	F69	
ALARM SWITCH ENGINE HOOD	2cD	2cD	ENGINE HOOD LOCK	A63	
ANTENNA AMPLIFIER	7cL	7cL	IN FOOTWELL, RIGHT SIDE	E82,083	
BATTERY	6cL	—	IN WATER BOX	H42	
BATTERY	—	16cR	IN LEFT BOHLMANN COMPARTMENT	H42	
BUZZER CONTACT	8cP	8cM	ON IGNITION LOCK	J18	
CABRIO: ROOF MOTORS	14cN/O	14cN/O	BELOW THE PARCEL TRAY	N/O104	
CABRIO: MOTOR POWER WINDOW PASSENGER'S SIDE	9dK	9dR	IN PASSENGER'S DOOR	D101	
CABRIO: MOTOR POWER WINDOW DRIVER'S SIDE	9dR	9dK	ON DRIVER'S DOOR	E105	
CABRIO: RELAY CODRIVER SIDE WINDOW	6dM	6dP	IN PASSENGER'S FOOTWELL	D104	
CABRIO: RELAY DRIVER SIDE WINDOW	6dM	6dP	IN PASSENGER'S FOOTWELL	D103	
CABRIO: POWER TOP			(G21) CE	L/M104	
CABRIO: CONTROL RELAY ROOF WITH MICROSWITCHES	14cM	14cM	IN LUGGAGE COMPARTMENT ON FIREWALL	O105-110	
CABRIO: DELAYING RELAY	6dM	6dP	IN PASSENGER'S FOOTWELL	E102	
CATALYTIC CONVERTER CONTROL (ONLY JAPAN)			(G24) ADDITIONAL CE	D20	
CENTRAL ELECTRIC	7bQ	7bQ	LEFT IN WATER BOX	SHEET 6	
CLUTCH SWITCH	7dP	7dM	TO FOOT CONTROLS	N44-45	
CONTACT UNIT AIRBAG	9bP	9bM	ON STEERING WHEEL	G/H95	
CONTROL UNIT ABS	7cL	7cL	IN FOOTWELL, RIGHT SIDE	A94-97	
CONTROL UNIT AIRBAG	6cM	7bD/P	IN PASSENGER'S FOOTWELL	K93-96	
CONTROL UNIT ALARM SYSTEM/CENTRAL LOCKING SYSTEM	6dM	6dP	IN PASSENGER'S FOOTWELL	D-F65-67	
CONTROL UNIT MFI+DI	6dM	6dP	IN PASSENGER'S FOOTWELL	D42-50	
CONTROL UNIT TRANSMISSION	15cK	15cK	IN REAR RIGHT FENDER	D-G111-112	
CONTROL UNIT GONG			(G25) ADDITIONAL CE	K/L19-20	
CONTROL UNIT LIFTING ROOF			(G21) CE	H35	
CONTROL UNIT LIGHT COMBINATION			(G17+G18) CE	F/G2	
CONTROL UNIT P/N LOCK (USA/CANADA)			(G23) ADDITIONAL CE	O119	
CONTROL UNIT CRUISE CONTROL	7cR	7cR	IN LEFT FOOTWELL	M44/45	
CONTROL UNIT SEAT HEATER LEFT SEAT	10dQ	10dQ	UNDER THE SEAT	O/P25-26	
CONTROL UNIT SEAT HEATER RIGHT SEAT	10dL	10dL	UNDER THE SEAT	L21	
COOLANT TEMP. SENSOR	4cO	4cO	ON ENGINE BLOCK	B45	
COOLANT TEMP. SWITCH AND SENSOR	4dP	4dP	ON ENGINE BLOCK	E/F47	
CRASH SENSOR LEFT	7cQ	7cQ	INSIDE FIREWALL LEFT	G95	
CRASH SENSOR RIGHT	7cL	7cL	INSIDE FIREWALL RIGHT	G92	
DIAGNOSIS PLUG SOCKET	7dM	7dP	IN PASSENGER'S FOOTWELL	M12	
DRIVE LEFT HEADLIGHT VERTICAL AIM CONTROL	2cP	2cP	ON HEADLIGHT LEFT	A6	
DRIVE RIGHT HEADLIGHT VERTICAL AIM CONTROL	2cM	2cM	ON HEADLIGHT RIGHT	A5	
DRIVE LEFT CENTRAL LOCK	11cR	11cR	IN DOOR LEFT	O64-65	
DRIVE RIGHT CENTRAL LOCK	11cK	11cK	IN DOOR RIGHT	O67-68	
DRIVE CRUISE CONTROL	6cL	6cL	IN ENGINE COMPARTMENT	L44	
ELECTRICS ON TRANSMISSION	15/16dP	15/16dP	IN TRANSMISSION	B115-117	
FAN MOTOR 1	3cN	3cN	ON RADIATOR	A28	
FAN MOTOR 2	3cN	3cN	ON RADIATOR	A27	
FLOAT SWITCH BRAKE FLUID	6cP	6cM	IN BRAKE FLUID RESERVOIR	C18	
FUEL LEVEL SENSOR	15dN	15dN	IN FUEL TANK	C17	
FUEL PUMP	15dL	15dL	ON BASE REAR RIGHT	N46-47	
GAS PRESSURE PROP LEFT	15bQ	15bQ	ON TAILGATE	K25	

DESIGNATION, FUNCTION	POSITION IN VEHICLE		NOTE	FIELD IN WIRING DIAGRAM
	LHD	RHD		
GAS PRESSURE PROP RIGHT	15bL	15bL	ON TAILGATE	L26
GENERATOR	3cO	3cO	ON ENGINE	J/K41/42
HALL SENSOR	3cM	3cM	ON TOOTHED BELT HOUSING OVER	B46
HEADLIGHT CLEANERS PUMP (HCS)	6cL	6cL	IN FRONT RIGHT FENDER	A25-26
HEATED OXYGEN SENSOR	2dP	2dP	ON RADIATOR	B45-46
HYDRAULIC UNIT	7dK	7dK	IN FRONT RIGHT FENDER	D/E92
IDLE SPEED POSITIONER	5cO	5cO	IN ENGINE COMPARTMENT	B49
IGNITION COIL	3cL	3cL	WHEEL HOUSING RIGHT FRONT	J45
INSIDE TEMPERATURE SENSOR	8cM	8cP	IN CONTROL PANEL AREA	E21
KICK-DOWN SWITCH	7dO	7dN	TO FOOT CONTROLS	F119
KNOCK SENSOR 1	5cN	5cN	ON ENGINE BLOCK	B47
KNOCK SENSOR 2	5cN	5cN	ON ENGINE BLOCK	B48
MAGNET P/N LOCK (USA/CANADA)	9dN	9dN	AT SELECTOR LEVER SUPPORT	K/L119
MASS AIR FLOW SENSOR	3cP	3cP	IN ENGINE COMPARTMENT	F42
MICRO SWITCH ROOF CLOSED	10aO	10aO	IN ROOF	K40
MOTOR CONCEALED HEADLIGHT LEFT	2dP	2dP	AT LEFT HEADLAMP BODY	D1
MOTOR CONCEALED HEADLIGHT RIGHT	2dM	2dM	AT RIGHT HEADLAMP BODY	E1
MOTOR LIFTING ROOF WITH CONTROL RELAY AND MICRO SWITCH	16dQ	16dQ	IN LEFT BOHLMANN COMPARTMENT	K36-40
MOTOR POWER WINDOW PASSENGER'S SIDE	9dK	9dR	IN PASSENGER'S DOOR	D31
MOTOR POWER WINDOW DRIVER'S SIDE	9dR	9dK	ON DRIVER'S DOOR	D35
MOTOR WINDSHIELD WIPER	7bO	7bN	IN WATER BOX	H/J25-27
OIL PRESSURE SENSOR/ PRESSURE SWITCH	3dM	3dM	ON ENGINE BLOCK BELOW OIL FILTER	F47
OIL TEMPERATURE SENSOR	5cN	5cN	AT CRANKCASE	B44
OUTSIDE TEMPERATURE SENSOR	6cN	6cN	IN HEATER BOX	A23
PARKING BRAKE CONTACT	9dR	9dK	ON HAND BRAKE LEVER	C15-16
PRESSURE SWITCH AIR CONDITIONING SYSTEM	3dQ	3dQ	IN ENGINE COMPARTMENT FRONT LEFT	A24-25
PUMP WINDSCREEN WASH	6cL	6cL	IN FRONT RIGHT FENDER	A26
RELAY ABS			(G22) CE	E99
RELAY AC			(G19) CE	A22
RELAY FOG LIGHT CUTOFF (ONLY JAPAN)			(G26) ADDITIONAL CE	H1
RELAY START LOCK (ONLY AUTOMATIC-TRANSMISSION)			(G20) CE	P44
RELAY DAYTIME RUNNING LIGHT (ONLY CANADA)			(G26) ADDITIONAL CE	L3
SEAT BELT CONTACT	10dO	10dN	TO BELT BUCKLE	C15
SENSOR LATERAL ACCELERATION	8eN	8eN	UNDER THE RIGHT SEAT	E119
SPEED SENSOR / MF1 + DI	6cN	6cN	ABOVE FLYWHEEL	B49
SPEED SENSOR CU TRANSMISSION	14dM	14dM	BY TRANSMISSION RIGHT	B114
STARTER	7cN	7cN	ON CLUTCH BELL HOUSING	L42
STOP LIGHT SWITCH	7dP	7dM	TO FOOT CONTROLS	O9
SWITCH TAILGATE UNLOCKING	7dQ	7dL	IN DRIVER'S FOOTWELL	F31
SWITCH COOLING WATER TEMPERATURE	2dP	2dP	ON RADIATOR	A29-30
SWITCH OIL LEVEL WARNING	6eN	6eN	UNDER THE ENGINE ON OIL PAN	F43
SWITCH BACKUP LIGHT	15dO	15dO	(ONLY TRANSMISSION)	O7-8
TAILGATE UNLOCKING MOTOR	18cM	18cM	IN LUGGAGE COMPARTMENT AT END-PANEL	G/H33
TEMPERATURE SENSOR FOR CATALYZER	9eN	9eN	ON CATALYZER	C19
THROTTLE VALVE POTENTIOMETER	4/5cO	4/5cO	ON THROTTLE VALVE ASSEMBLY	B47
TWO-TONE HORN 1	3cQ	3cQ	IN FRONT LEFT FENDER	A39
TWO-TONE HORN 2	3cQ	3cQ	IN FRONT LEFT FENDER	A40
VALVE CAMSHAFT CONTROL	5cM	5cM	AT CYLINDER HEAD COVER	B44
VALVE TANK VENTING	6cQ	6cQ	IN ENGINE COMPARTMENT (ONLY CAT.)	B43

a  
b  
c  
d  
e  
  
K  
L  
M  
N  
O  
P  
Q  
R

M

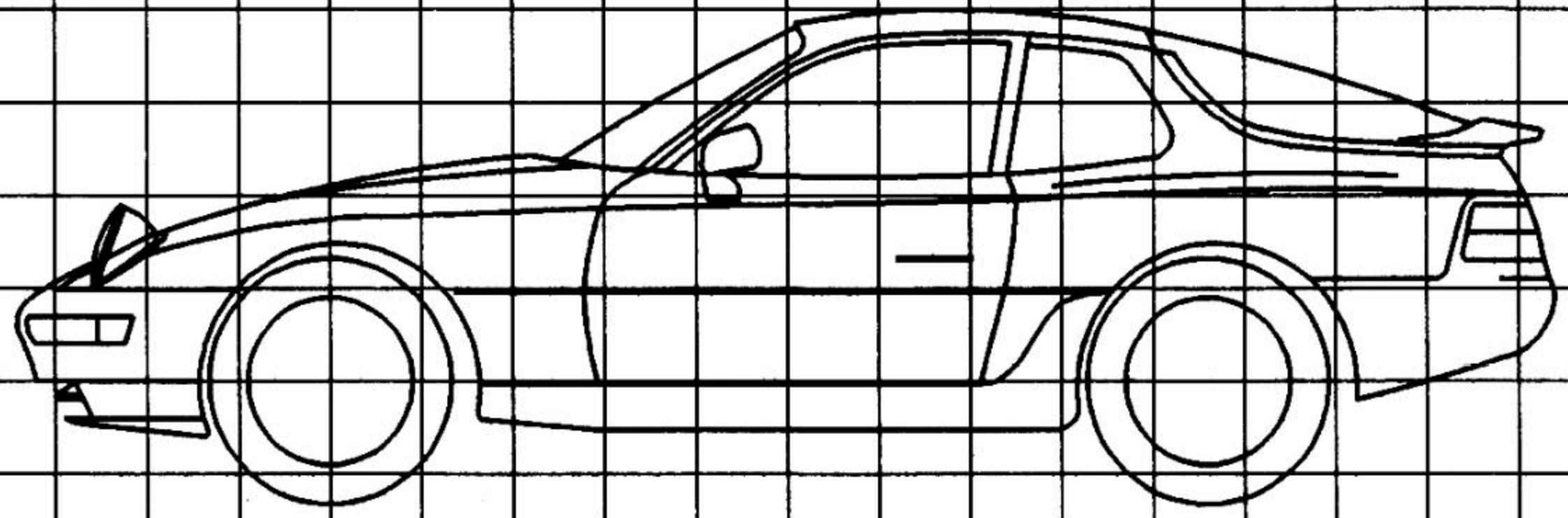
N

O

P

1 2 3 4 5 6 7 8 9 10 11 12 13 14 15 16 17 18

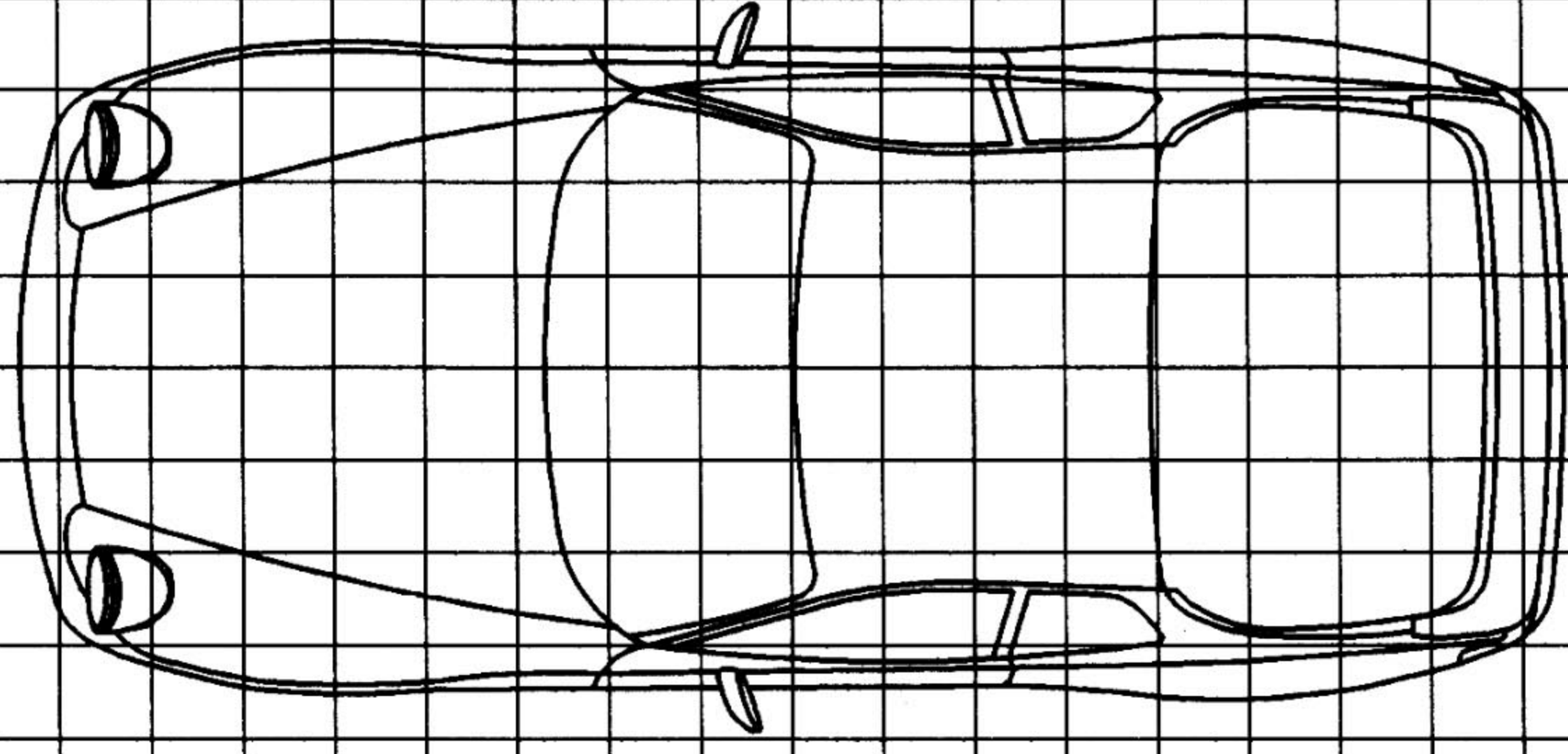
Q  
b  
c  
d  
e



Q  
b  
c  
d  
e

K  
L  
M  
N  
O  
P  
Q  
R

1 2 3 4 5 6 7 8 9 10 11 12 13 14 15 16 17 18



K  
L  
M  
N  
O  
P  
Q  
R

M

N

O

P

A		B		C		D		E	
<b>PLUG CONNECTIONS</b>									
CODE	NUMBER OF PINS	DESIGNATION, FUNCTION	POSITION IN VEHICLE		NOTE				
			LHD	RHD					
T1	14	WL PASSENGER COMPARTMENT / WL MFI+DI	6dM	6dP	IN PASSENGER'S FOOTWELL				
T2									
T3									
T4	2	BRAKE PAD WEAR CONTACT FRONT RIGHT / COMBI. LEAD	5dL	5dL	LOW ON SHOCK ABSORBER				
T5	2	COMB. LEAD RIGHT / WL FRONT (BVA)	6cL	6cL	IN ENGINE COMPARTMENT				
T6	2	COMB. LEAD LEFT / WL FRONT (BVA)	6cQ	6cQ	IN ENGINE COMPARTMENT				
T7	2	BRAKE PAD WEAR CONTACT FRONT LEFT / COMBI. LEAD	5dQ	5dQ	LOW ON SHOCK ABSORBER				
T8	2	BRAKE PAD WEAR CONTACT REAR RIGHT / COMBI. LEAD	14dL	14dL	ON SEMI-TRAILING ARM				
T9	2	COMB. LEAD RIGHT / WL PASSENGER COMP.	15dM	15dM	} ABOVE DRIVE SHAFTS ON LUGGAGE COMPARTMENT PANEL				
T10	2	COMB. LEAD LEFT / WL PASSENGER COMP.	15dP	15dP					
T11	2	BRAKE PAD WEAR CONTACT REAR LEFT / COMBI. LEAD	14dQ	14dQ	ON SEMI-TRAILING ARM				
T12	6	WL HEATER, AIR CONDITIONING / PASSENGER COMP.	7cO/N	7cO/N	IN CONTROL PANEL AREA				
T13	7	WL PASSENGER COMPARTMENT / ENGINE HOOD	6bP	6bP	IN ENGINE HOOD				
T14	8	SEAT RIGHT / WL PASSENGER COMPARTMENT	11eM	11eM	LOW ON SEAT				
T15	8	SEAT LEFT / WL PASSENGER COMPARTMENT	11eP	11eP	LOW ON SEAT				
T16	4	REAR WINDOW WIPER, HIGH MOUNTED STOP LIGHT / WL PASSENGER COMP. ONLY COUPE	14cQ	14cQ	BEHIND C-PILLAR				
T17									
T18	12	WL PASSENGER COMPARTMENT / WL PASSENGER'S DOOR ONLY COUPE	7dK	7dR	IN PASSENGER'S FOOTWELL				
T18	12	WL PASSENGER COMPARTMENT / WL PASSENGER'S DOOR ONLY CABRIO	7dK	7dR	IN PASSENGER'S FOOTWELL				
T19	14	WL PASSENGER COMPARTMENT / WL DRIVER'S DOOR ONLY COUPE	7dR	7dK	IN DRIVER'S FOOTWELL				
T19	14	WL PASSENGER COMPARTMENT / WL DRIVER'S DOOR ONLY CABRIO	7dR	7dK	IN DRIVER'S FOOTWELL				
T20	8	WL PASSENGER COMPARTMENT / WL SUN ROOF ONLY COUPE	16dQ	16dQ	IN BOHLMANN COMPARTMENT				
T20	8	WL PASSENGER COMPARTMENT / WL POWER TOP ONLY CABRIO	16dQ	16dQ	IN BOHLMANN COMPARTMENT				
T21	14	WIRING LOOM MFI + DI / WIRING LOOM FRONT END	6cP	6cP	IN ENGINE COMPARTMENT				
T22	2	CODING PLUG / MFI + DI	6dM	6dP	IN PASSENGER'S FOOTWELL				
T23									
T24	2	WL GENERATOR STARTER / WL FRONT END	6cO	6cO	IN ENGINE COMPARTMENT				
T25									
T26	19	DIAGNOSIS PLUG	6dL	6dO	IN PASSENGER'S FOOTWELL				
T27	12	WL PASSENGER COMPARTMENT / WL PASSENGER'S DOOR	7dK	7dR	IN PASSENGER'S FOOTWELL				
T28	12	WL PASSENGER COMPARTMENT / WL DRIVER'S DOOR	7dR	7dK	IN DRIVER'S FOOTWELL				
T29	1	ANTENNA AMPLIFIER / WL PASSENGER COMP.	7cO	7cO	BEHIND THE RADIO				
T30									
T31									
T32	2	WL ABS / COMBINATION LEAD FR	6cL	6cL	IN ENGINE COMPARTMENT				
T33	2	WL ABS / COMBINATION LEAD FL	6cQ	6cQ	IN ENGINE COMPARTMENT				
T34	2	WL ABS / COMBINATION LEAD RL	15dP	15dP	ABOVE DRIVE SHAFTS				
T35	2	WL ABS / COMBINATION LEAD RR	15dM	15dM	ON LUGGAGE COMPARTMENT PANEL				
T36	2	COMB. LEAD FR / ABS-SENSOR FR	5dL	5dL	LOW ON SHOCK ABSORBER				
T37	2	COMB. LEAD FL / ABS-SENSOR FL	5dQ	5dQ	LOW ON SHOCK ABSORBER				
T38	2	COMB. LEAD RL / ABS-SENSOR RL	14dQ	14dQ	ON SEMI-TRAILING ARM				
T39	2	COMB. LEAD RR / ABS-SENSOR RR	14dL	14dL	ON SEMI-TRAILING ARM				
T40	6	WL PASSENGER COMPARTMENT / WL ABS	6dM	6dM	IN FOOTWELL, RIGHT SIDE				
T41	6	WL PASSENGER COMPARTMENT / WL AIRBAG	6dM	7cO/P	IN PASSENGER'S FOOTWELL				
T42	2	WL PASSENGER COMPARTMENT / WL AIRBAG	6cM	—	IN PASSENGER'S FOOTWELL				
T43	3	SPEED- REFERENCE MARK SENSOR / MFI + DI	6cN	6cN	ON ENGINE REAR				
T44	3	HEATED OXYGEN SENSOR / MFI+DI	6cN	6cN	ON ENGINE REAR				
T45	2	WL PASSENGER COMPARTMENT / FUEL PUMP	13dM	13dM	AT TRANSMISSION SUPPORT				
T46	10	WL MFI+DI / WL TRANSMISSION	7cM	7cP	IN PASSENGER'S FOOTWELL				
T47	21	WL PASSENGER COMPARTMENT / WL TRANSMISSION	7cK	7cL	IN PASSENGER'S FOOTWELL				
T48	8	WL TRANSMISSION/ ELECTRICS ON TRANSMISSION ONLY M249	15/16dP	15/16dP	ON GEARBOX				

F

G

H

J

K

L

## GROUND POINTS

FIELD IN WIRING DIAGRAM	
	N15, F44/45
	A15
	A16
	A18
	A19
	P15
	P16
	P18
	P19
	D23
	J27/28, B64
	L22
	N27
	O23
	BC32, HJ86, OP86
	F102, HJ86, OP86
	BC34, D86, L86
	F103, D86, L86
	H38
	M107/108
	G48/49
	A50
	J43
	L/N12
	M63-65
	M68,E/F104
	F82, O82
	B98
	B98
	B98
	B98
	B98
	B98
	B98
	B98
	B98
	F96
	H97
	J96, O13
	B: 9
	B45/46
	M47
	F46, G118
	D118, H114, N114, L117
	C115-117

CODE	DESIGNATION, FUNCTION	POSITION IN VEHICLE	
		LHD	RHD
MP I	COVER PANEL	18cO	18cO
MP II	INSIDE FIREWALL ELECTRONICS CHASSIS	7cP	7cP
MP III	INSIDE FIREWALL CABLE TO GROUND	7cP	7cP
MP IV	LONGITUDINAL SUPPORT	3dP	3dP
MP V	LONGITUDINAL SUPPORT	3dM	3dM
MP VI	BODY BATTERY LHD	6cL	—
MP VII	BODY BATTERY RHD	—	16cQ
MP VIII	ENGINE BLOCK *IFI+DI ELECTRONICS CHASSIS	6cO	6cO
MP IX	CLUTCH BELL HOUSING BATTERY LEAD LHD MFI + DI CABLE TO GROUND	7cO	7cO
MP X	BODY RHD FIREWALL	—	7cO

## ABBREVIATIONS

CODE	MEANING	CODE	MEANING
ABS	ANTILOCK BRAKING SYSTEM	LHD	LEFT-HAND DRIVE
AC	AIR CONDITIONING SYSTEM	MFI + DI	DIGITAL ENGINE ELECTRONICS
ADL	ADDITIONAL DRIVING LIGHTS	NO	NUMBER
CE	CENTRAL ELECTRIC	NTC	NEGATIVE TEMPERATURE COEFFICIENT
CL	CLOSE	OP	OPEN
CLS	CENTRAL LOCKING SYSTEM	PIN	PIN
CP	CONNECTING POINT	PL	PLUG
CS	CLUBSPORT VERSION	POT	POTENTIOMETER
CU	CONTROL UNIT	RA	REAR AXLE
DEF	DEFROST	RFL	REAR FOG LIGHT
DP	DISCONNECTING POINT	RHD	RIGHT-HAND DRIVE
ESO	ENGINE-SPEED SENSOR OUTPUT	RL	REAR LEFT
FA	FRONT AXLE	ROW	REST OF WORLD
FCU	FREQUENCY CONVERTER UNIT	RR	REAR RIGHT
FL	FRONT LEFT	SA	SAUDI ARABIA
FOG	FOG LIGHT	SCS	COMBINED STEERING COLUMN SWITCH
FR	FRONT RIGHT	SS	SPEED SENSOR
GP	GROUND POINT	TE	TERMINAL
HCS	HEADLIGHT CLEANING SYSTEM	WL	WIRING LOOM
HF	HIGH FREQUENCY	WP	WELD POINT
IC	INSTRUMENT CLUSTER	WW	WORLDWIDE
LED	LIGHT-EMITTING DIODE		
LF	LOW FREQUENCY		

F

G

H

J

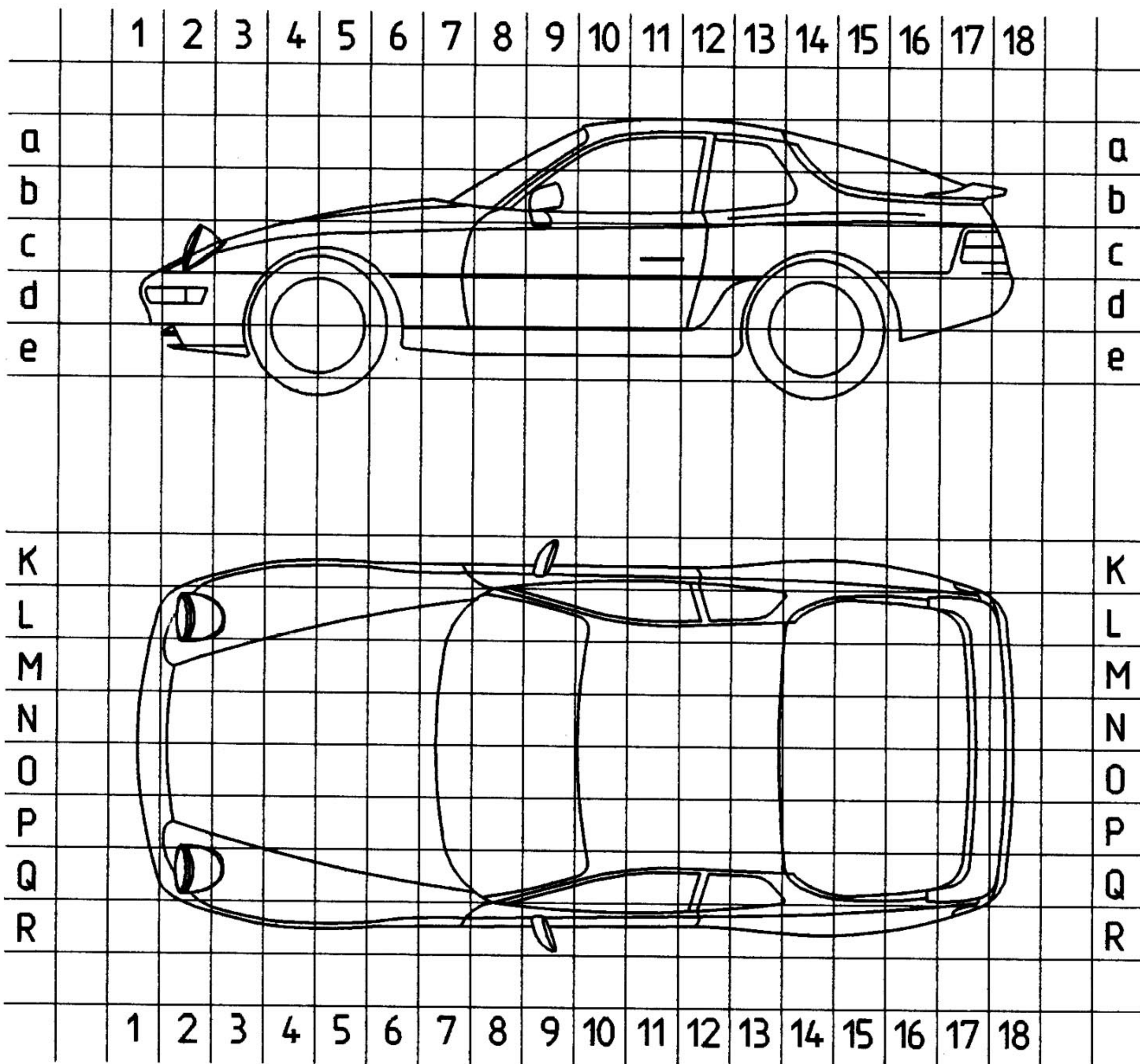
K

L

L M N O P

M - NUMBERS

- |       |                           |       |                                |
|-------|---------------------------|-------|--------------------------------|
| M 113 | CANADA VERSION            | M 480 | 6-RANGE-TRANSMISSION           |
| M 139 | SEAT HEATER SEAT LEFT     | M 484 | USA VERSION                    |
| M 150 | WITHOUT CATALYZER         | M 490 | AUDIO OPTION PACK              |
| M 193 | JAPAN VERSION             | M 543 | ANTI-JOY RIDE DEVICE           |
| M 215 | SAUDI-ARABIA VERSION      | M 553 | USA-CANADA VERSION             |
| M 249 | AUTOMATIC TRANSMISSION    | M 562 | AIRBAG                         |
| M 288 | HEADLIGHT CLEANING SYSTEM | M 573 | AIR CONDITIONING SYSTEM        |
| M 340 | SEAT HEATER SEAT RIGHT    | M 605 | HEADLIGHT VERTICAL AIM CONTROL |
| M 454 | CRUISE CONTROL            | M 650 | LIFTING ROOF                   |
| M 479 | AUSTRALIAN VERSION        |       |                                |



M N O P